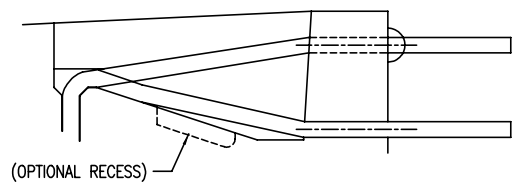
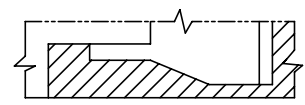
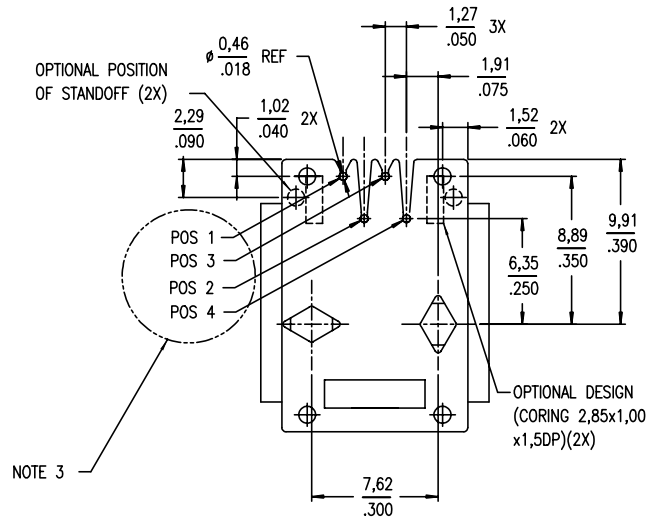
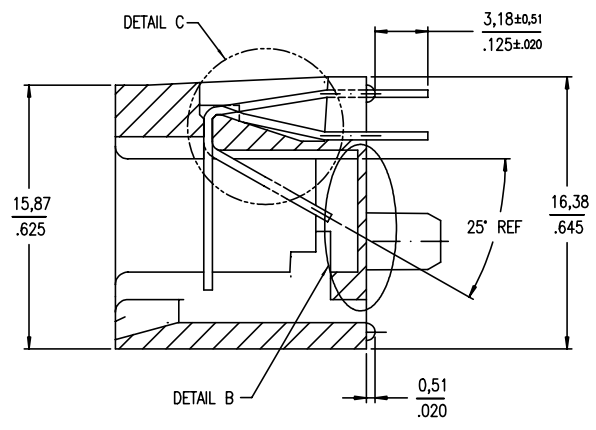
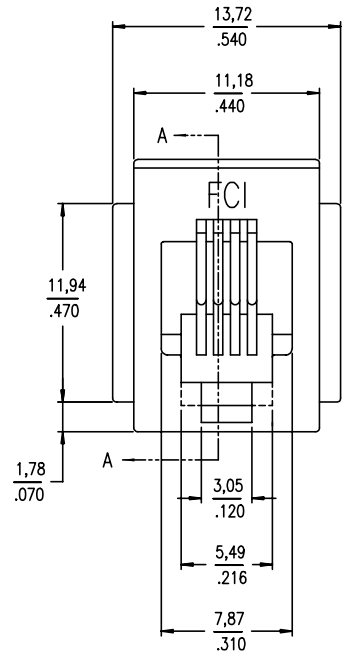
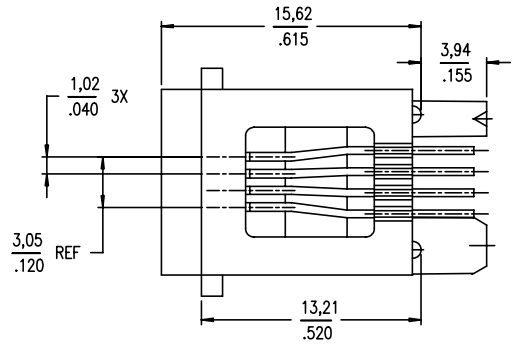


Tous droits strictement reserves. Reproduction ou communication a des tiers interdite sous quelque forme que ce soit sans autorisation écrite du propriétaire. Propriete de © FCI ELECTRONICS.

All rights strictly reserved. Reproduction or issue to third parties in any form whatever is not permitted without written authority from the proprietor. Property of © FCI ELECTRONICS.



mat'l. code				tolerances unless otherwise specified				CUSTOMER COPY		FCI www.fciconnect.com	
ltr	ecn no	dr	date	.X ±.30		projection		title			
L	V70900	BOB W	06/04/97	.XX ±.13		⊕		4 POS VERTICAL			
M	T70458	CL	10/21/97	.XXX ±.05		⊕		P.C.B. MOD JACK ASSY			
N	S90142	JSR	10/4/99	0° ±2'		mm		product family		code	
P	N05-0002	YS	01/06/05	CATHY LIN 10/21/97		scale		MOD JACK		-	
R	N08-0170	SH	10/10/08	enrg TONY CHIEN 10/21/97		3:1		size		-	
S	N09-0092	SH	05/25/09	chr TONY CHIEN 10/21/97		A3		69253		sheet 1 of 2	
sheet index				revision sheet		R R		scale		code	
				1 2				3:1		22926	

Tous droits strictement réservés. Reproduction ou communication a des tiers interdite sous quelque forme que ce soit sans autorisation écrite du propriétaire. Propriété de © FCI ELECTRONICS INC. Droits de reproduction FCI ELECTRONICS INC.



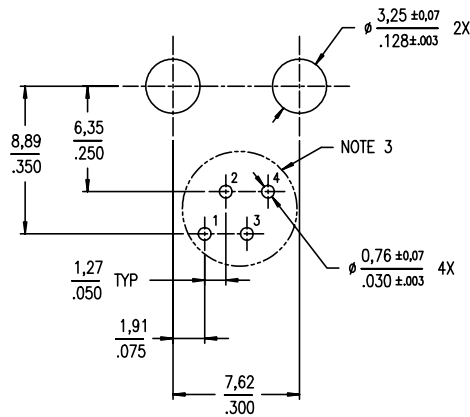
All rights strictly reserved. Reproduction or issue to third parties in any form whatever is not permitted without written authority from the proprietor. Property of © FCI ELECTRONICS INC. Copyright FCI ELECTRONICS INC.

PRODUCT NO.	POSITIONS LOADED	CONTACT PLATING	HOUSING COLOR	NOTES
69253-001 -001LF -011LF	ALL	30u" GXT	BLACK	-
-002 -002LF -012LF	ALL	30u" /0,76u Au	BLACK	-
-003 -003LF -013LF	ALL	30u" GXT	BLACK	NOTE 1
-004 -004LF -014LF	ALL	50u" /1,27u Au	BLACK	-
-005 -005LF -015LF	ALL	30u" GXT	GREY	-
-006 -006LF -016LF	ALL	15u" GXT	BLACK	-

LEAD FREE PRODUCT NO.

0: MEETS WAVE SOLDER PROCESS PRODUCT NO.

1: MEETS PIP PROCESS PRODUCT NO.



BOARD LAYOUT
VIEWED FROM TOP

NOTE :

- ① SPECIAL PACKAGING.
- 2 GXT IS 0,76um / 30u" OR 0,28um / 15u" MIN GXT WITH Au FLASH OVER 1,27um / 50u" MIN Ni.
- ③ THIS PIN NUMBERING IS OPPOSITE TO FCC, PART 68, SUBPART F REQUIREMENTS.
- 4 THIS PRODUCT MEETS EUROPEAN UNION DIRECTIVES AND OTHER COUNTRY REGULATIONS AS DESCRIBED IN GS-22-008.
- 5 THE HOUSING WILL WITHSTAND EXPOSURE TO 260°C PEAK TEMPERATURE FOR 10 SECONDS IN A WAVE SOLDER APPLICATION WITH A 1.6mm MINIMUM THICK CIRCUIT BOARD.
- 6 IF LF P/N PACKAGING MEETS GS-14-920 SPECIFICATION.
- ⑦ PLATING OPTIONS:
MAY BE EITHER GOLD OR GXT PLATED AT MANUFACTURER'S OPTION.

mat'l. code		tolerances unless otherwise specified		CUSTOMER COPY		FCI www.fciconnect.com	
ltr	ecn no	dr	date	linear	projection	title	
s				.X ±.30 .XX ±.13 .XXX ±.05		4 POS VERTICAL P.C.B. MOD JACK ASSY	
				angles	mm	product family	code
				dr	scale	MOD JACK	-
				enrg	3:1	size	sheet
				chr		dwg no	2 of 2
				appd		A3	
sheet	revision					69253	
index	sheet						

PDM: Rev:S

STATUS: Released

Printed Feb 20, 2010 6