



Mechanical

- 1 • Durability:
500 matings & unmatings (with stamped and formed contact, S18 plating)

Environmental

- 3 • Operating temperature:
from -40°C to +105°C
- Flammability rating:
UL 94 5VA
- Salt spray:
≥1000 hours
- UV resistant:
No mechanical degradation or important variation of colour of exposure in natural environment (F1 material per the UL 746C)
- 4 • Sealing:
 - IP68/69K mated with standard contacts
 - IP68/69K even unmated with sealed contacts (see p23)
- Fluid resistance:
 - Gasoil
 - Mineral oil
 - Acid bath
 - Basic bath





characteristics



Electrical

- UL: 600V 16A
277V 13A for CBC use
- CN: 600V 13A
277V 10A for CBC use
- IEC: 230/400V 16A
- 2 • Connector for Breaking circuit
- First Mate Last Break contact mating on earth line

Material

- Body connector + Backshell: Thermoplastic
- Insert: Connector: Thermoplastic
- Contacts: See page 22
- Nut: Metal
- Halogen free
- RoHS compliant & conform to the Chinese standard SJ/T1166-2006 (Chinese RoHS equivalent)



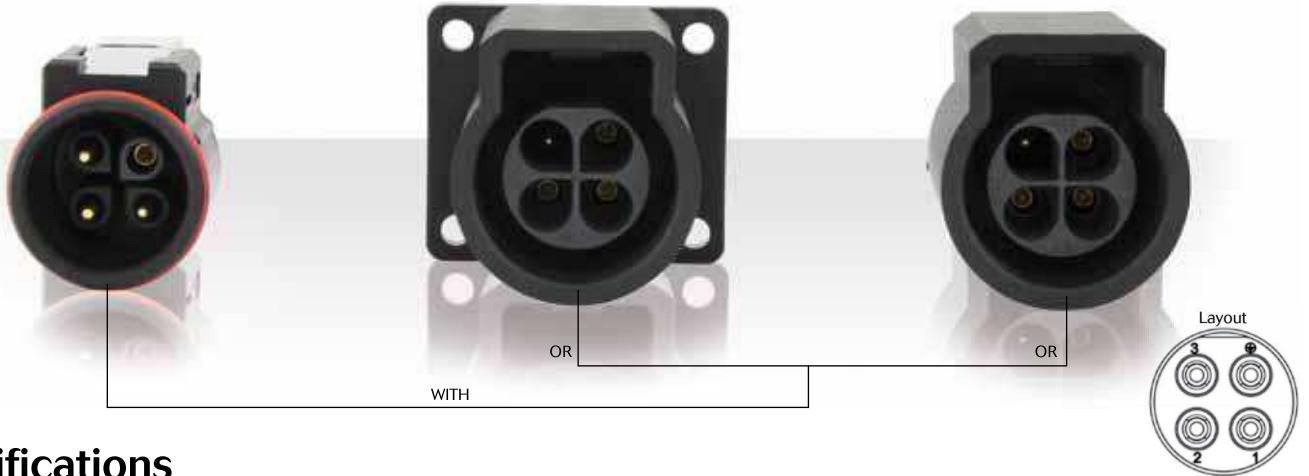
Qualification

- In accordance with:
 - IEC60065, IEC60598, UL 1598, IEC60320, UL498, UL94 , UL746 , IEC61076-2-103
 - UL 1977: UL file number E169916
 - IEC 61984: Pending



UTL Series

103G1



Specifications

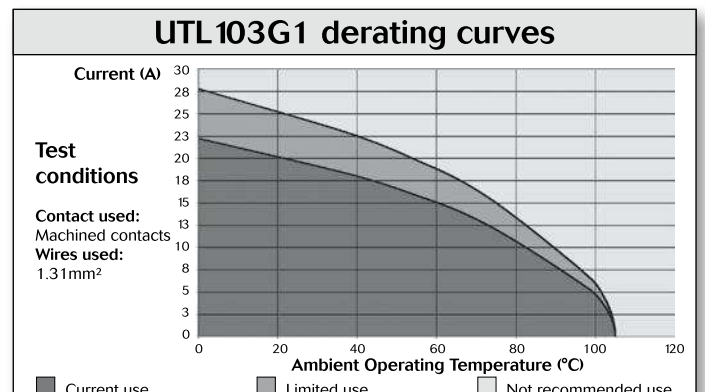
Contact type	Connector type	Part number			
		Male insert		Female insert	
		Black color	Grey color	Black color	grey color
Crimp contacts supply separately see page 17	Square flange receptacle	UTL0103G1P	UTL0103G1P03	UTL0103G1S	UTL0103G1S03
	Plug	UTL6103G1P	UTL6103G1P03	UTL6103G1S	UTL6103G1S03
	Jam nut receptacle	UTL7103G1P	UTL7103G1P03	UTL7103G1S	UTL7103G1S03
	In line receptacle	UTL1103G1P	UTL1103G1P03	UTL1103G1S	UTL1103G1S03

48h sample service

Harnesses

Connector type	Overmolded harnesses, straight ending					
	Male insert			Female insert		
	3 ft	6 ft	12 ft	3 ft	6 ft	12 ft
Plug 1 side	UTLMKT63G1P3FT	UTLMKT63G1P6FT	UTLMKT63G1P12FT	UTLMKT63G1S3FT	UTLMKT63G1S6FT	UTLMKT63G1S12FT
Plug 2 sides	-	-	-	UTLMKT63G1SP3FT	UTLMKT63G1SP6FT	UTLMKT63G1SP12FT
Plug + in line	-	-	-	UTLMKT613G1SP3FT	UTLMKT613G1SP6FT	UTLMKT613G1SP12FT

Electrical characteristics
<p>UL 600V 16A 277V 10A for CBC use</p> <p>CN 600V 13A 277V 10A for CBC use</p> <p>IEC 16A 230/400V 16A</p>



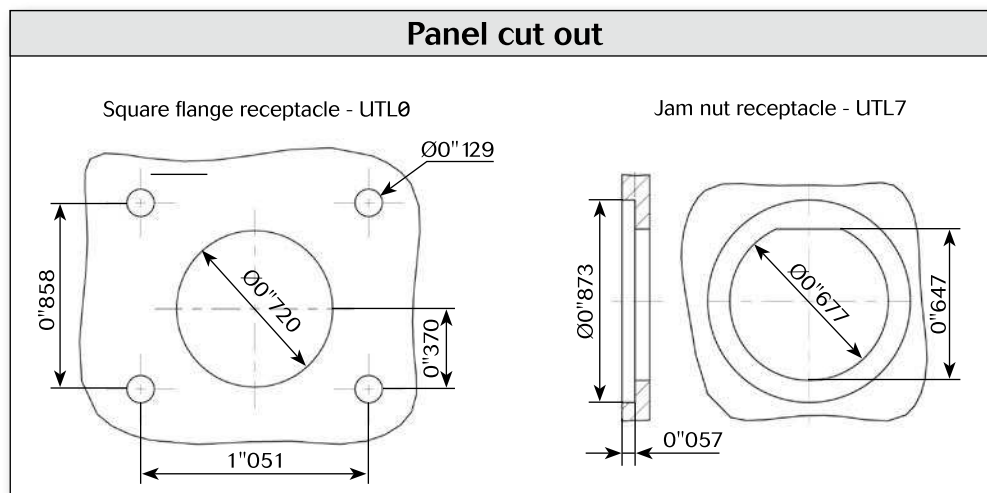
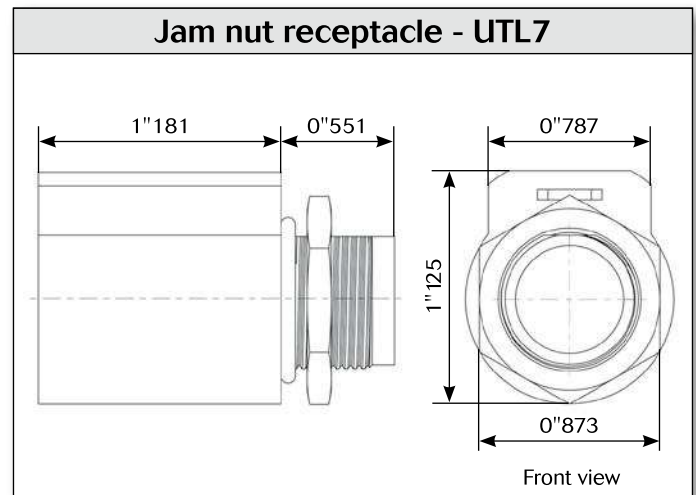
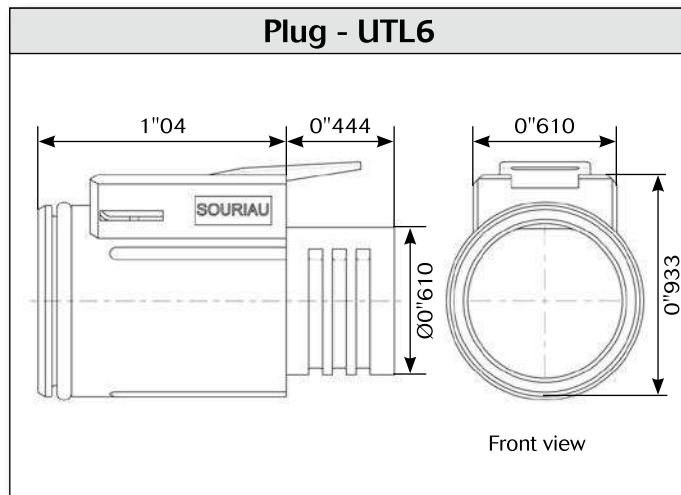
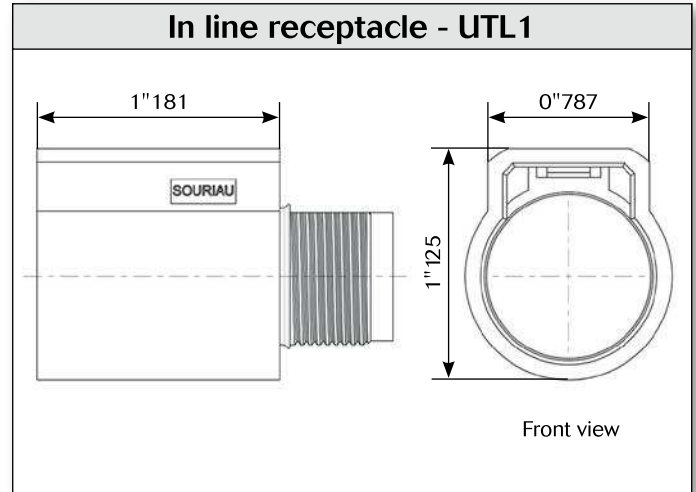
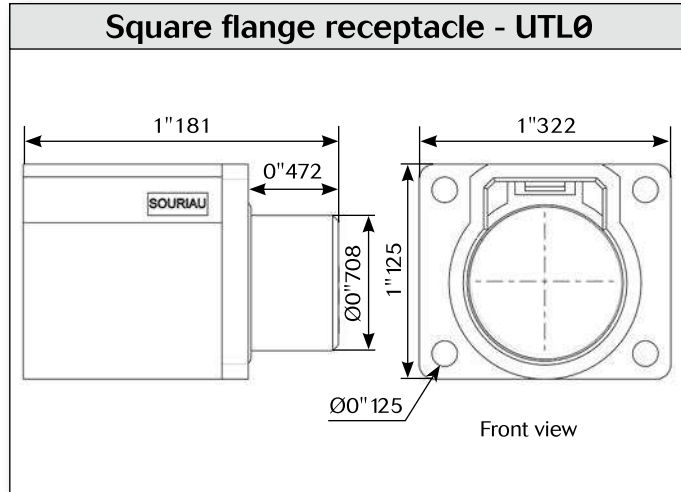
UTL Series

103G1



3 + ground
16A/600V
per UL1977

Dimensions



Note:
all dimensions are in inch