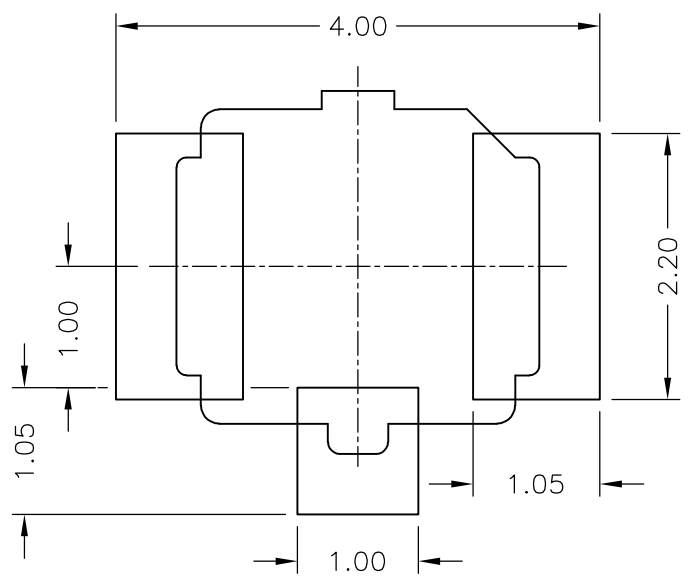
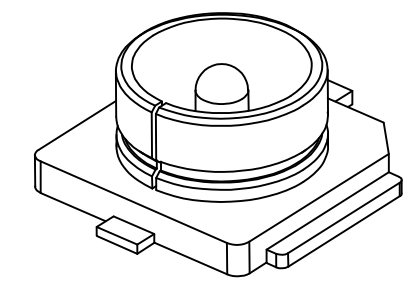
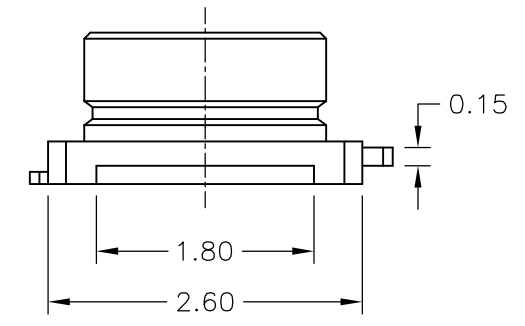
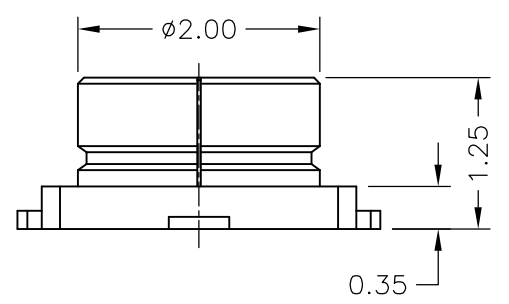
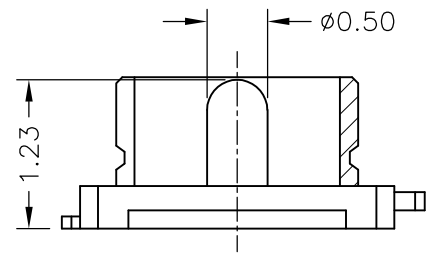
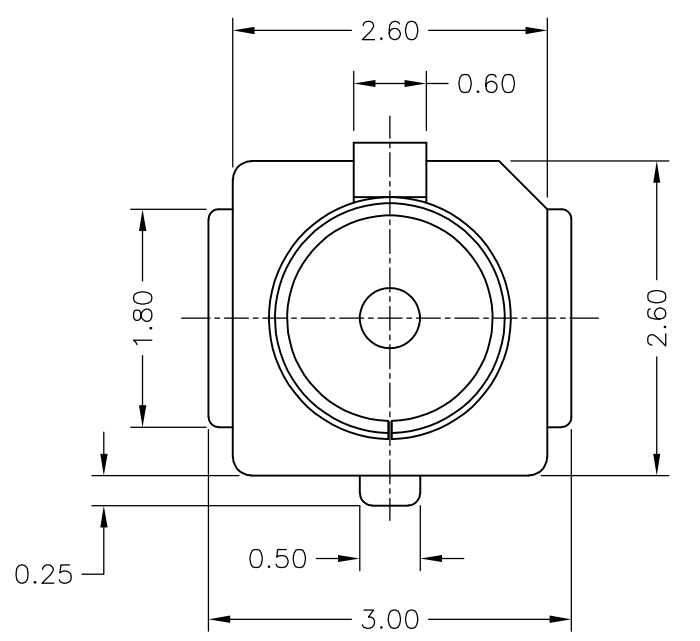


THIS DRAWING IS UNPUBLISHED. RELEASED FOR PUBLICATION  
 © COPYRIGHT - BY TYCO ELECTRONICS CORPORATION. ALL RIGHTS RESERVED.

LOC	DIST	REVISIONS					
AJ	00	P	LTR	DESCRIPTION	DATE	DWN	APVD
			B	ECO-10-016848	16Aug2010	GYG	JS



RECOMMENDED PCB LAYOUT

NOTES

- 1 PACKAGING: 5K/REEL x 6 = 30K PER BOX.
- 2 MATERIAL & FINISH:
  - 2.1 CONTACT MATERIAL: COPPER ALLOY.
  - 2.2 INSULATOR: HIGH TEMPERATURE PLASTIC UL94V-0..
  - 2.3 CONTACT FINISH: GOLD 5U" ON MATING AREA, GOLD FLASH ON SOLDER TAILS, ALL OVER 50U" NICKEL(MIN.) UNDER PLATED.

1909763-1
PART NUMBER

Q'TY	U/M	DESCRIPTION	ITEM NO.
1	EA	GROUND PAD: METAL SHELL, GOLD PLATING	3
1	EA	CENTER PIN: CENTER CNT, GOLD PLATING	2
1	MM	HOUSING: OVER MOLD HOUSING, LCP,IVORY,UL94V-0	1

THIS DRAWING IS A CONTROLLED DOCUMENT.		DWN	GARY GAO	16Aug2010	Tyco Electronics Corporation Kunshan, Jiangsu, RPC, 215312		
DIMENSIONS: MM		CHK	RITA ZUO	16Aug2010	NAME		
TOLERANCES UNLESS OTHERWISE SPECIFIED:		APVD	JONGSENG GOH	16Aug2010	PRODUCT SPEC		
0 PLC ± 0.5		APPLICATION SPEC		MINI. RF HEADER			
1 PLC ± 0.35		---		SIZE	CAGE CODE	DRAWING NO	RESTRICTED TO
2 PLC ± 0.25		---		A3	00779	C-1909763	---
3 PLC ± 0.05		---		CUSTOMER DRAWING			
4 PLC ± -		---		SCALE	SHEET	REV	---
ANGLES ± 3'		---		16:1	1 OF 1	B	---
MATERIAL SEE NOTE		FINISH SEE NOTE		---			