

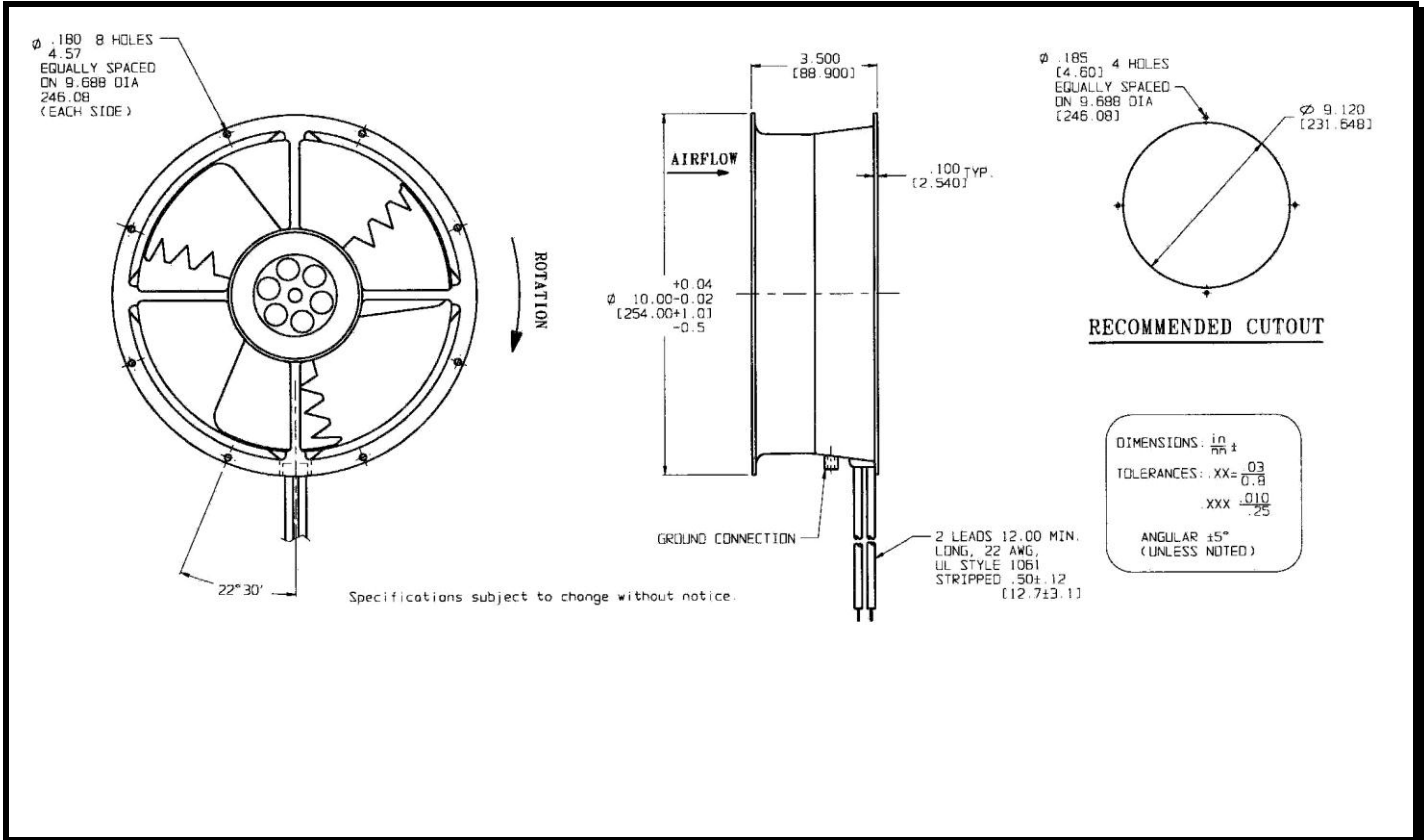
SPECIFICATIONS



Model Number: CD12B3
Part Number: 19032837A

Version: 01
Sep 10, 2017

Mechanical Drawing:



Motor:

Nominal Voltage = 12 vdc
 Operating Voltage Range = 6-14 vdc
 Nominal Running Current = 2.60 amps
 Locked Rotor Current = 4.00 amps
 Running Power = 31.2 watts
 Average Speed = 1650 rpm
 Bearings = Ball
 Air Flow = 550 cfm
 Acoustic = 49.1 dBA

Construction:

Venturi: Die-Cast Aluminum, Black
 Propeller: Plastic, Black, UL 94V-0

Agency Approvals:

UL, CUL, CE

Life Expectancy:

This fan is designed for continuous duty life of 60,000 hours at 40°C.

Additional Features:

Brushless DC Motor
 Locked Rotor Protection
 Polarity Protected
 Automatic Restart Capability
 Operating Temperature: -10°C to 70°C
 Storage Temperature: -40°C to 85°C

Termination:

12" Lead wires, 22 AWG, UL 1061

Red = Power (+)

Black = Return (-)

PQ Curve:

