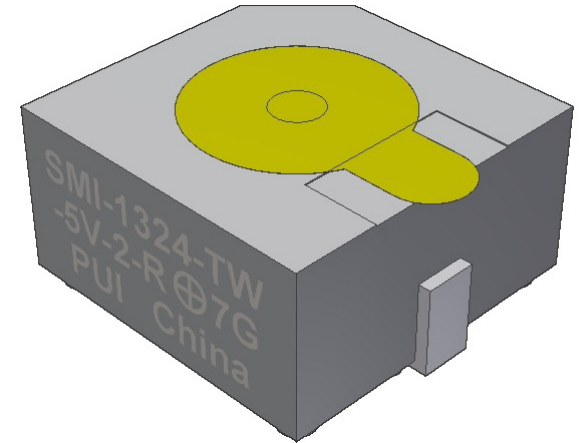




pui
audio™ inc
a projects unlimited company

SMI-1324-TW-5V-2-R 13mm Indicator

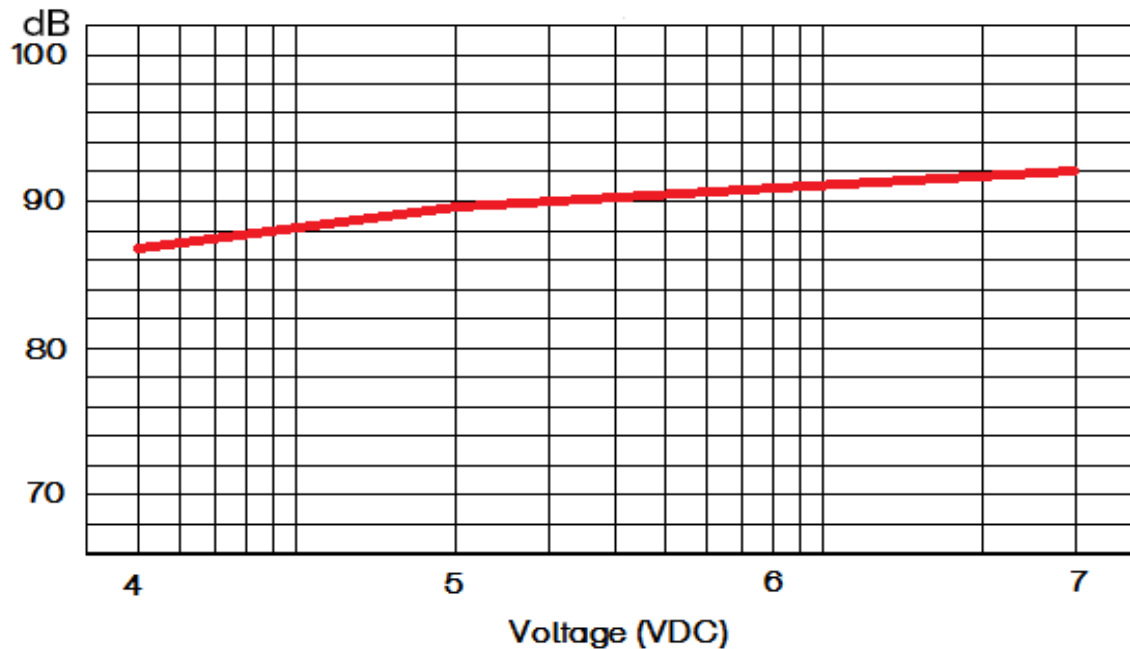


3541 Stop Eight Road • Dayton, Ohio 45414

Product Overview

- 13mm, 4-7 VDC self-drive, surface mount indicator
- 88 dBA minimum output (5 VDC @ 10 cm) and 2,340 Hz continuous tone
- PPT housing withstands lead-free reflow soldering temperatures
- Removable wash tag preserves performance

SPL vs Voltage (measured @10 cm)



RoHS Compliant



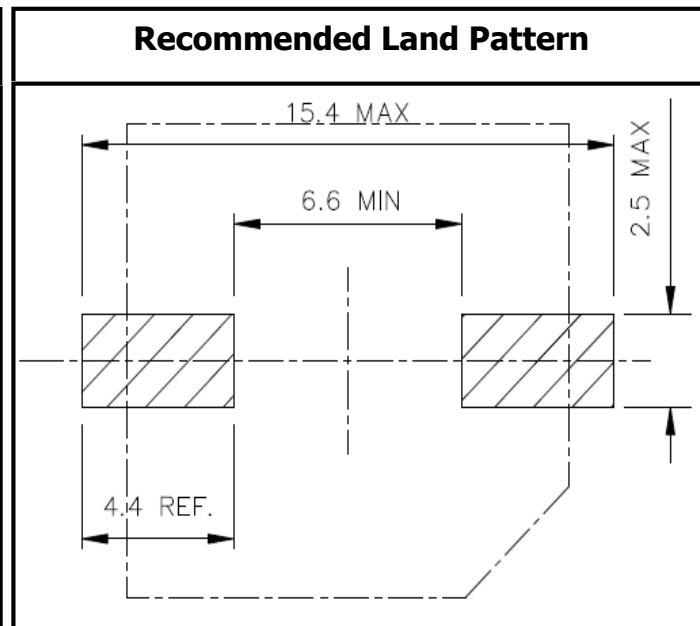
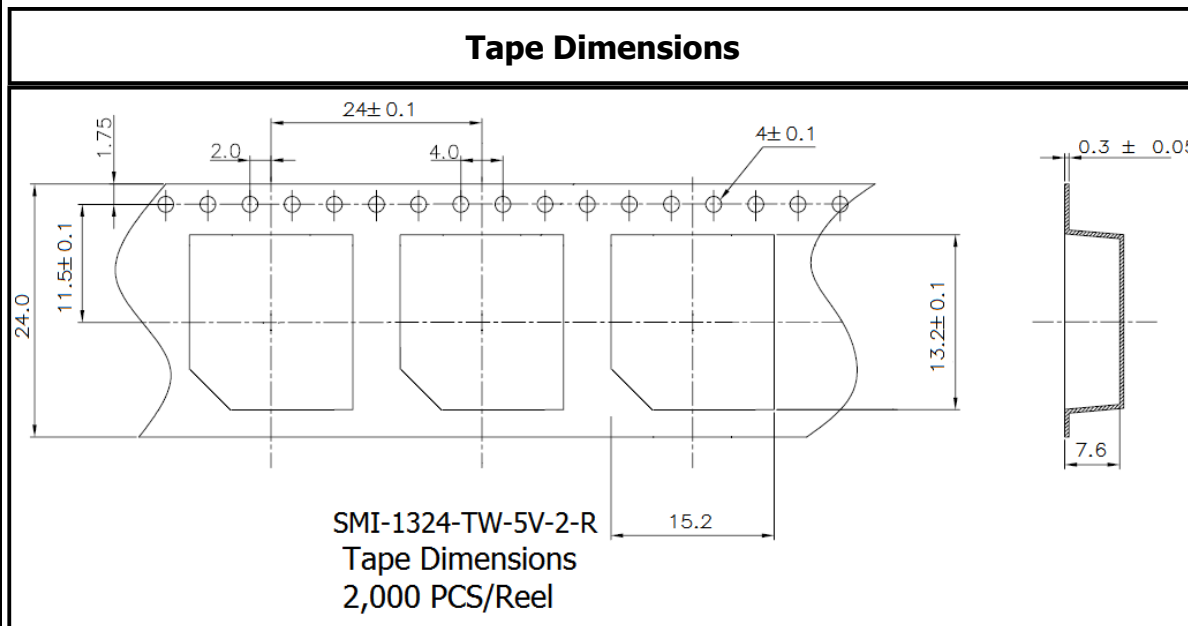
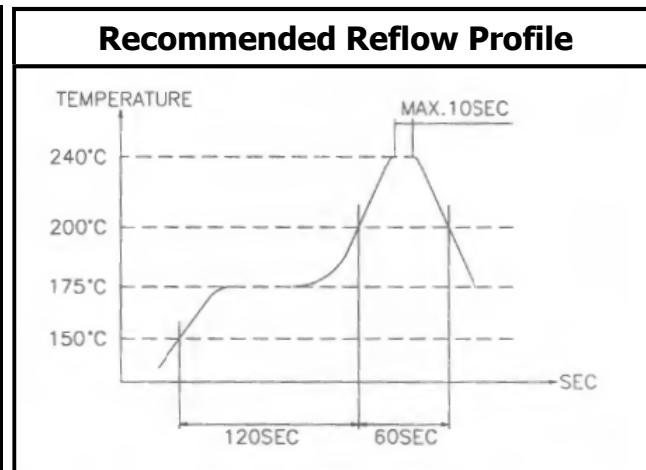


SMI-1324-TW-5V-2-R

13mm Indicator

Mechanical and Environment Testing	
Test Description	Test Condition
High Temperature	85°C (±2°C) with random humidity for 96 hours
Low Temperature	-25°C (±2°C) with random humidity for 96 hours
Humidity	40°C (±2°C) with 90% to 95% relative humidity for 96 hours
Vibration	0.75 mm movement modulated at 10-55 Hz for 3 hours
Drop Test	100 cm free fall onto wood board, 10 cycles
Temperature Cycle Test	-30°C to 85°C, 100 cycles

After tests, part shall rest for 2 hours. Parts are then tested for clean, pure tones.



SPECIFICATIONS

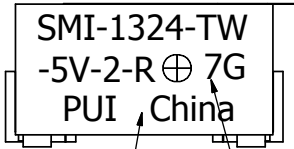
PARAMETERS	VALUES	UNITS
RATED VOLTAGE	5	Vdc
OPERATING VOLTAGE RANGE	4 ~ 7	Vdc
RATED CURRENT (MAX)	30	mA
MINIMUM SPL @ 10 CM	88	dB
RESONANT FREQUENCY	2,400 ± 400	Hz
TONE OR PULSE RATE	CONTINUOUS	0 pulse/sec
OPERATING TEMPERATURE	-40 ~ +85	°C
STORAGE TEMPERATURE	-40 ~ +85	°C
HOUSING MATERIAL	PPS	-
TERMINAL MATERIAL	Sn PLATED BRASS	-
WEIGHT	2	grams

THIS DOCUMENT CONTAINS DATA PROPRIETARY TO PROJECTS UNLIMITED, INC. ANY USE OR REPRODUCTION, IN ANY FORM, WITHOUT PRIOR WRITTEN PERMISSION OF PROJECTS UNLIMITED, INC. IS PROHIBITED.
©2003, Projects Unlimited Inc.

REVISION HISTORY

LTR	DESCRIPTION	DATE	APPROVED
-	RELEASED FROM ENGINEERING	8/2/2004	
A	REVISED TERMINAL MATERIAL	12/13/2004	R.W.
B	REMOVED LEAD FREE ADDED RoHS NOTE	8/10/2005	
C	ADDED NOTE 4	11/2/2005	B.R.
D	REVISED TERMINAL MATERIAL	3/20/2006	B.R.
E	REVISED TEMPERATURES ADD DATE CODE	6/14/2006	R.W.
F	REVISED LAYOUT ADDED SIDE DIMENSION	8/16/2006	B.R.
G	REVISED TO INVENTOR 3-D DRAWING TEMPLATE	11/9/2007	B.R.

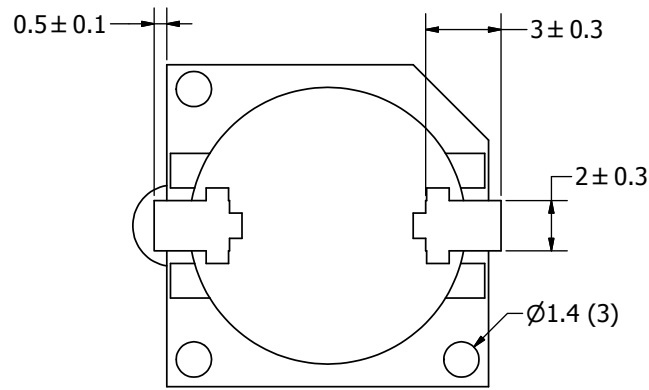
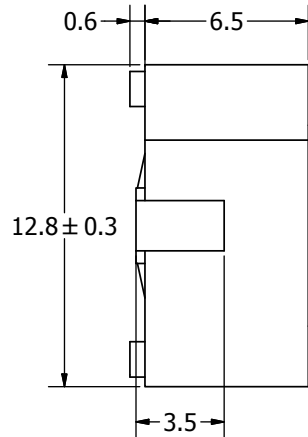
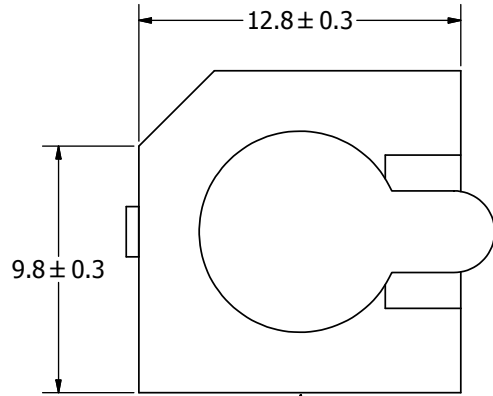
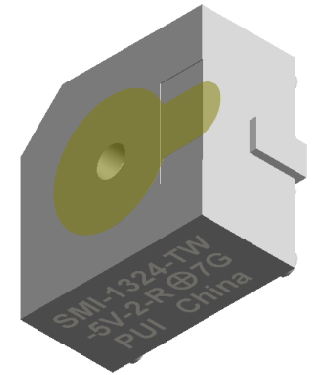
A (4 : 1)



SILK SCREEN MARKING
COLOR: SILVER

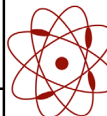
DATE CODE MARKING

"7 G"
YEAR: 7=2007 MONTH: G=JULY



NOTES:

1. ALL DIMENSIONS ARE IN MILLIMETERS.
2. SPECIFICATIONS SUBJECT TO CHANGE OR WITHDRAWAL WITHOUT NOTICE.
3. THIS PART IS RoHS 2002/95/EC COMPLIANT.
4. MAXIMUM REFOLW TEMPERATURE IS 260°C.

UNLESS OTHERWISE SPECIFIED: DIMENSIONS ARE IN MILLIMETERS, TOLERANCES ARE ±0.5 AND ANGLES ARE ±3°.	SIZE	Designed by	Date	Checked by	Date	Approved by	Date	Drawn Date	
	A3	R.A.C.	8/2/2004			R.W.	8/2/2004	11/9/2007	
SMI-1324-TW-5V-2-R.idw		 pui audio a projects unlimited company		SMI-1324-TW-5V-2-R			Indicator	Edition -	Sheet 1 / 1