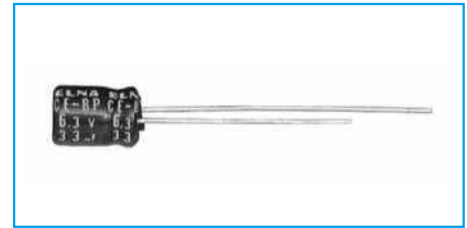
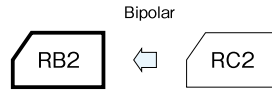


7mm L, Bipolar Capacitors

GREEN CAP Anti-cleaning solvent

• Diameters from  $\phi 4$  to  $\phi 6.3$ mm and a height of 7mm.

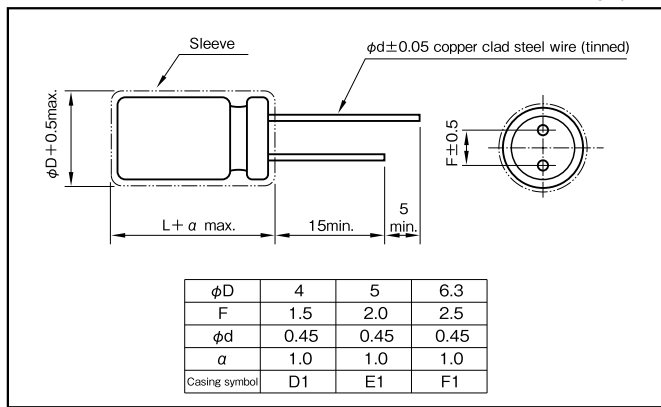


Marking color : White print on a blue sleeve

Specifications

| Item                               | Performance  |   |      |      |      |      |      |
|------------------------------------|--|---|------|------|------|------|------|
| Category temperature range (°C)    | -40 to +85   |   |      |      |      |      |      |
| Tolerance at rated capacitance (%) | ±20 (20°C,120Hz)   |   |      |      |      |      |      |
| Leakage current (µA)               | Less than 0.03CV + 3 (after 5 minutes) C : Rated capacitance (µF) ; V : Rated voltage (V) (20°C) |   |      |      |      |      |      |
| Tangent of loss angle (tanδ)       | Rated voltage (V)  | 6.3   | 10   | 16   | 25   | 35   | 50   |
|                                    | tanδ (max.)  | 0.30  | 0.25 | 0.20 | 0.15 | 0.15 | 0.15 |
| Endurance (85°C)                   | Test time  | 1000 hours (with the polarity inverted every 250 hours) |      |      |      |      |      |
|                                    | Leakage current  | The initial specified value or less                     |      |      |      |      |      |
|                                    | Percentage of capacitance change   | Within ±20% of initial value                            |      |      |      |      |      |
|                                    | Tangent of the loss angle  | 200% or less of the initial specified value             |      |      |      |      |      |
| Applicable standards               | JIS C5101-1, -4 1998 (IEC 60384-1 1992, -4 1985)   |   |      |      |      |      |      |

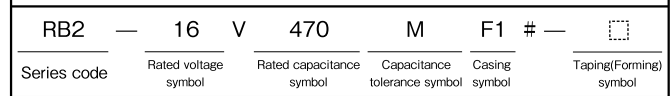
Outline Drawing



Coefficient of Frequency for Rated Ripple Current

| Rated voltage (V) | Frequency (Hz) |     |     |            |
|-------------------|----------------|-----|-----|------------|
|                   | 50 · 60        | 120 | 1k  | 10k · 100k |
| 6.3 to 16         | 0.8            | 1   | 1.1 | 1.2        |
| 25 to 35          | 0.8            | 1   | 1.5 | 1.7        |
| 50                | 0.8            | 1   | 1.6 | 1.9        |

Part numbering system (example: 16V47µF)



Standard Ratings

| Rated voltage (V)      | 6.3         |                      | 10          |                      | 16          |                      | 25          |                      | 35          |                      | 50          |                      |
|------------------------|-------------|----------------------|-------------|----------------------|-------------|----------------------|-------------|----------------------|-------------|----------------------|-------------|----------------------|
|                        | Case        | Rated ripple current | Case        | Rated ripple current | Case        | Rated ripple current | Case        | Rated ripple current | Case        | Rated ripple current | Case        | Rated ripple current |
| Rated capacitance (µF) | φD × L (mm) | (mArms)              | φD × L (mm) | (mArms)              | φD × L (mm) | (mArms)              | φD × L (mm) | (mArms)              | φD × L (mm) | (mArms)              | φD × L (mm) | (mArms)              |
| 0.33                   | —           | —                    | —           | —                    | —           | —                    | —           | —                    | —           | —                    | 4×7         | 5                    |
| 0.47                   | —           | —                    | —           | —                    | —           | —                    | —           | —                    | —           | —                    | 4×7         | 6                    |
| 1                      | —           | —                    | —           | —                    | —           | —                    | —           | —                    | —           | —                    | 4×7         | 9                    |
| 2.2                    | —           | —                    | —           | —                    | —           | —                    | —           | —                    | 4×7         | 14                   | 5×7         | 16                   |
| 3.3                    | —           | —                    | —           | —                    | —           | —                    | 4×7         | 17                   | 5×7         | 19                   | 5×7         | 19                   |
| 4.7                    | —           | —                    | —           | —                    | 4×7         | 17                   | 5×7         | 23                   | 5×7         | 23                   | 6.3×7       | 27                   |
| 10                     | —           | —                    | 4×7         | 23                   | 5×7         | 29                   | 6.3×7       | 39                   | 6.3×7       | 39                   | —           | —                    |
| 22                     | 5×7         | 35                   | 5×7         | 39                   | 6.3×7       | 50                   | 6.3×7       | 58                   | —           | —                    | —           | —                    |
| 33                     | 5×7         | 43                   | 6.3×7       | 55                   | 6.3×7       | 61                   | 6.3×7       | 71                   | —           | —                    | —           | —                    |
| 47                     | 6.3×7       | 60                   | 6.3×7       | 66                   | 6.3×7       | 73                   | —           | —                    | —           | —                    | —           | —                    |

(Note) Rated ripple current : 85°C, 120Hz.