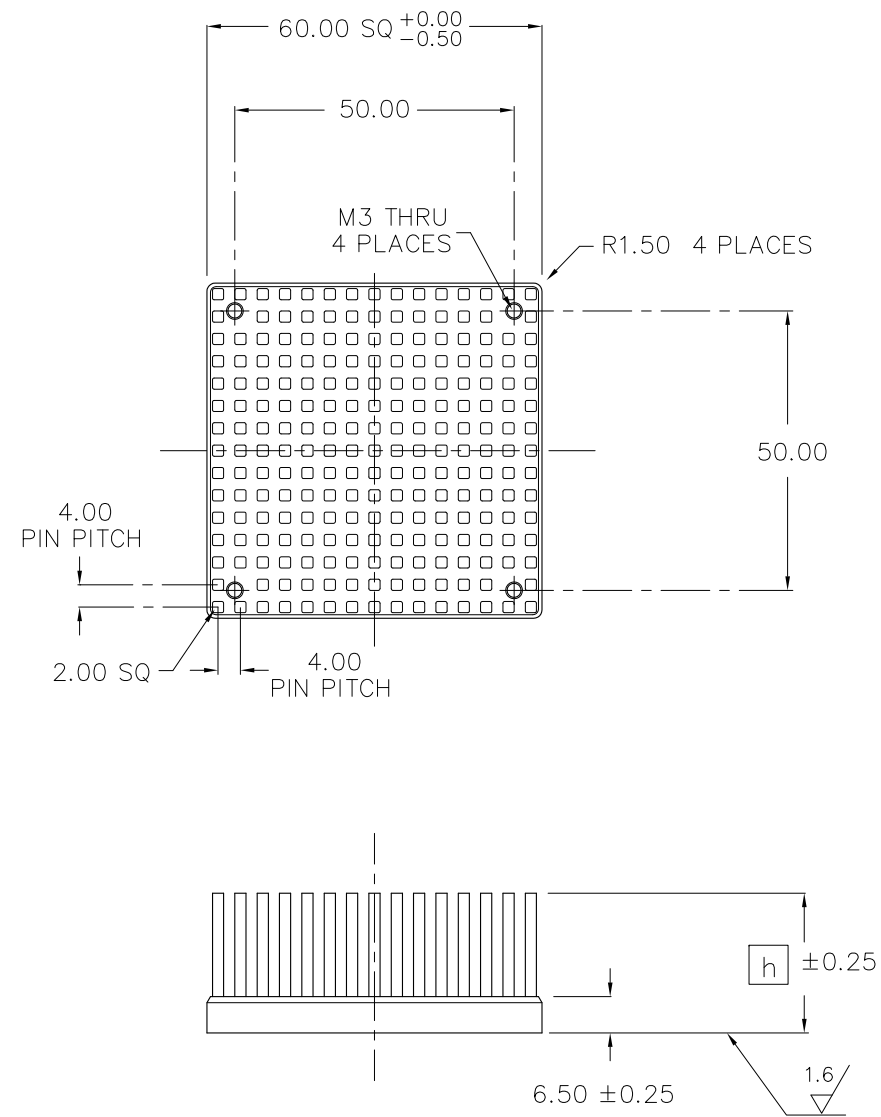


REVISIONS				
REV	DATE	DESCRIPTION	CHG	APPR



NOTES : UNLESS OTHERWISE SPECIFIED
 1. INTERPRET DIMENSIONS AND TOLERANCES PER ANSI Y14.5M

2. ALL DIMENSIONS ARE IN MILLIMETERS.

3. MATERIAL : ALUMINUM 6063

4. FINISH : CLEAR ANODIZE

5. TOLERANCES : .XX ±0.254

.XXX ±0.127

ANGLES ± 1°

6. REMOVE ALL BURRS AND BREAK SHARP EDGES.

UNSPECIFIED CORNER R0.5 MAX OR C0.5 MAX

7. A BEND OF THE FIN: THE FINS MUST NOT CONTACT.

30	FS6030W	S001ZP1J	
20	FS6020W	S001ZP1H	
HEIGHT h	MODEL NO.	PART NO.	REMARK

ALPHA CO.,LTD.		CSTM'R'S PART NO.	
	MATERIAL NOTE 3, 4	NAME FS60 XXW	
SCALE 1 : 1	APPR & CHCK Y.SUZUKI	DWG NO. S001ZP1G	REV
DATE APR 17 2014	DSGN & DWG Y.SUZUKI	RDCTN:	LOFF: