

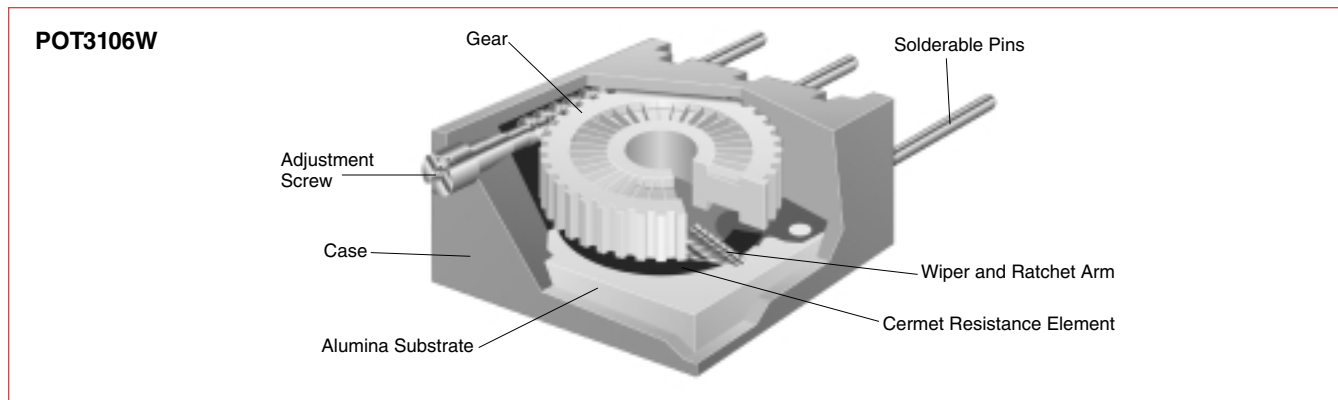
**FEATURES**

- 25-turn cermet; square with 10.0(W) x 9.5(L) x 5.1(T)mm package
- 5 terminal styles, top and side adjustment
- Compatible with ultrasonic cleaning
- Clutch mechanism prevents excessive wiper rotation.
- Taping available

**APPLICATIONS**

Measuring instruments, facsimile machines, CPUs, PPCs, printers and sensors

**CONSTRUCTION**



**SPECIFICATIONS**

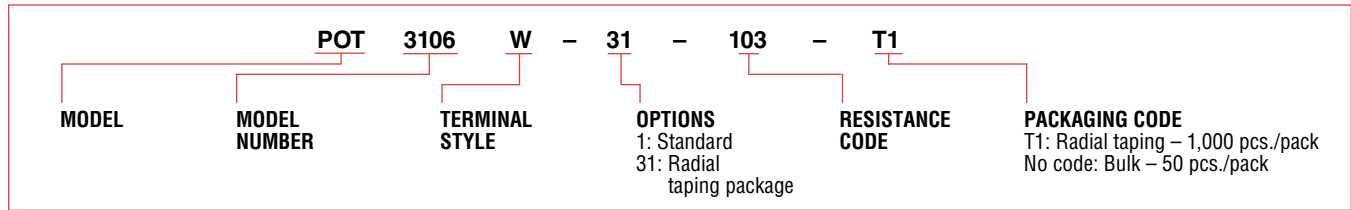
Item	
Standard Resistance Range	10Ω to 2MΩ (1, 2, 5 Step)
Nominal Resistance Tolerance	±10%
Power Rating	70°C – 0.5W, 125°C – 0W
Maximum Working Voltage	300V
Maximum Wiper Current	100mA max.
Operating Temperature Range	-55°C to +125°C
Effective Number of Turns	25 ± 5 turns
Residual Resistance	2Ω max.
Contact Resistance Variation	3% or 3Ω max., whichever is greater
Dielectric Strength	1000VAC
Insulation Resistance	1000MΩ min. (500VDC)
Torque	14.7mNm (150gf • cm) max.

**ENVIRONMENTAL SPECIFICATIONS**

Item	
Temperature Coefficient of Resistance	±100ppm/°C
Temperature Cycle	Δ TR ±2%, Δ V.S.S. ±1%
Humidity Exposure	Δ TR ±2%, IR 100MΩ min.
Vibration (20G)	Δ TR ±1%, Δ V.S.S. ±1%
Shock (100G)	Δ TR ±1%, Δ V.S.S. ±1%
Load Life	Δ TR ±3%, Δ V.S.S. ±1%
Low Temperature Exposure	Δ TR ±2%, Δ V.S.S. ±1%
High Temperature Exposure	Δ TR ±3%, Δ V.S.S. ±1%
Rotational Life (200 cycles)	No intermittence on resistance change

Δ TR: Total Resistance Change • Δ V.S.S.: Voltage Setting Stability • IR: Insulation Resistance

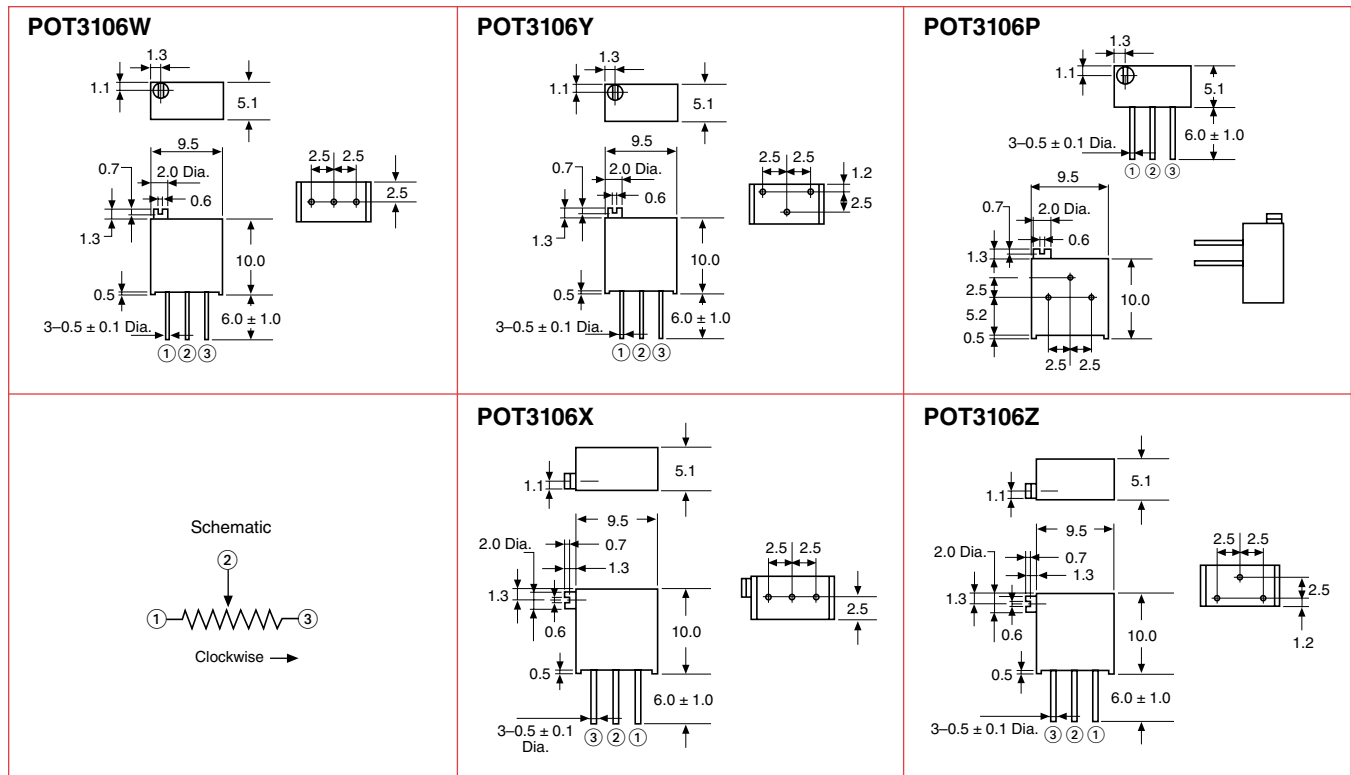
**PART NUMBERING SYSTEM**



**PART NUMBER TABLE**

Nominal Resistance Values	Model Number				
	Top Adjustment (W)	Top Adjustment (Y)	Side Adjustment (P)	Side Adjustment (X)	Side Adjustment (Z)
10Ω	POT3106W-1-100	POT3106Y-1-100	POT3106P-1-100	POT3106X-1-100	POT3106Z-1-100
20Ω	POT3106W-1-200	POT3106Y-1-200	POT3106P-1-200	POT3106X-1-200	POT3106Z-1-200
50Ω	POT3106W-1-500	POT3106Y-1-500	POT3106P-1-500	POT3106X-1-500	POT3106Z-1-500
100Ω	POT3106W-1-101	POT3106Y-1-101	POT3106P-1-101	POT3106X-1-101	POT3106Z-1-101
200Ω	POT3106W-1-201	POT3106Y-1-201	POT3106P-1-201	POT3106X-1-201	POT3106Z-1-201
500Ω	POT3106W-1-501	POT3106Y-1-501	POT3106P-1-501	POT3106X-1-501	POT3106Z-1-501
1kΩ	POT3106W-1-102	POT3106Y-1-102	POT3106P-1-102	POT3106X-1-102	POT3106Z-1-102
2kΩ	POT3106W-1-202	POT3106Y-1-202	POT3106P-1-202	POT3106X-1-202	POT3106Z-1-202
5kΩ	POT3106W-1-502	POT3106Y-1-502	POT3106P-1-502	POT3106X-1-502	POT3106Z-1-502
10kΩ	POT3106W-1-103	POT3106Y-1-103	POT3106P-1-103	POT3106X-1-103	POT3106Z-1-103
20kΩ	POT3106W-1-203	POT3106Y-1-203	POT3106P-1-203	POT3106X-1-203	POT3106Z-1-203
25kΩ	POT3106W-1-253	POT3106Y-1-253	POT3106P-1-253	POT3106X-1-253	POT3106Z-1-253
50kΩ	POT3106W-1-503	POT3106Y-1-503	POT3106P-1-503	POT3106X-1-503	POT3106Z-1-503
100kΩ	POT3106W-1-104	POT3106Y-1-104	POT3106P-1-104	POT3106X-1-104	POT3106Z-1-104
200kΩ	POT3106W-1-204	POT3106Y-1-204	POT3106P-1-204	POT3106X-1-204	POT3106Z-1-204
250kΩ	POT3106W-1-254	POT3106Y-1-254	POT3106P-1-254	POT3106X-1-254	POT3106Z-1-254
500kΩ	POT3106W-1-504	POT3106Y-1-504	POT3106P-1-504	POT3106X-1-504	POT3106Z-1-504
1MΩ	POT3106W-1-105	POT3106Y-1-105	POT3106P-1-105	POT3106X-1-105	POT3106Z-1-105
2MΩ	POT3106W-1-205	POT3106Y-1-205	POT3106P-1-205	POT3106X-1-205	POT3106Z-1-205

**DIMENSIONS: mm**



Standard Tolerance: ±0.3  
 All products on this page are available as standard through authorized Murata Electronics Distributors.