

DATA SHEET

MKT 370/371/372/373 **Metallized polyester film capacitors**

Product specification
Supersedes data of 2001 Sep 13
File under BCcomponents, BC05

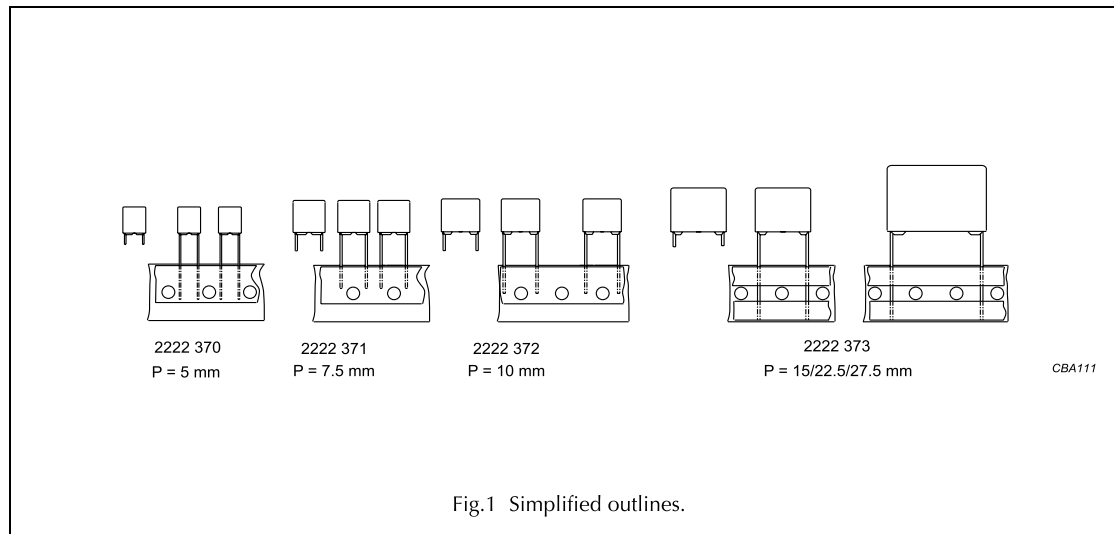
2003 Jan 17



Metallized polyester film capacitors MKT 370/371/372/373

MKT RADIAL POTTED TYPE

PITCH 5/7.5/10/15/22.5/27.5 mm



FEATURES

- Low-inductive wound cell of metallized (PETP) film
- Potted with epoxy resin in a flame-retardant case
- Radial leads of solder-coated wire
- Withstands solvents and rinsing liquids
- Small stand-off pips to allow removal of solder flux
- Suitable for high density packaging.

APPLICATIONS

- Blocking and coupling
- Bypass and energy reservoir.

DETAIL SPECIFICATION

For more detailed data and test requirements see "Type detail specification HQN-384-02/103".

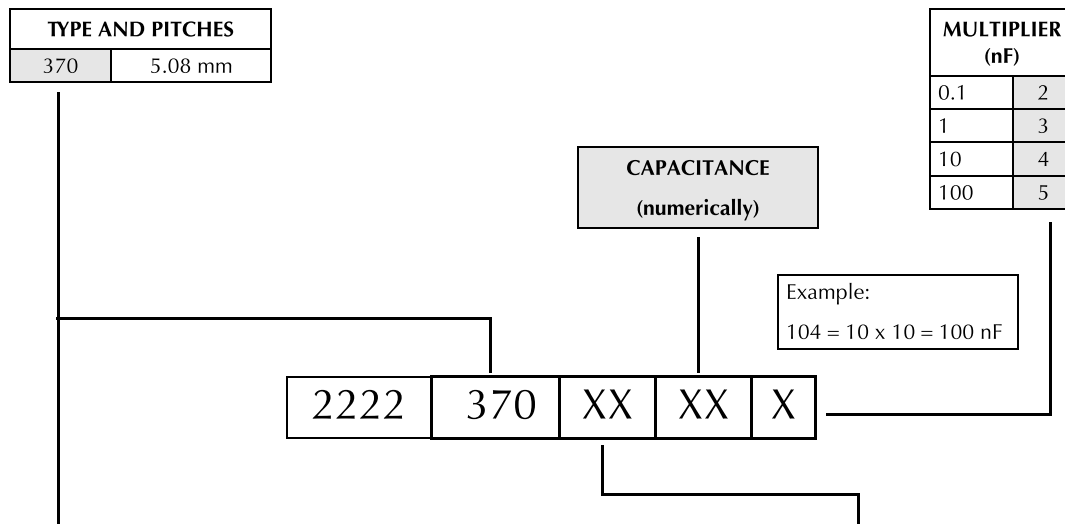
QUICK REFERENCE DATA

DESCRIPTION	VALUE
Capacitance range (E12 series)	0.001 to 15 μ F
Capacitance tolerance	\pm 10%; \pm 5%
Rated (DC) voltage	63 V; 100 V; 250 V; 400 V; 630 V
Rated (AC) voltage	40 V; 63 V; 160 V; 220 V; 250 V
Climatic category	55/105/56
Rated temperature	85 °C
Maximum application temperature	105 °C
Reference specification	IEC 60384-2
Performance grade	grade 1 (long life)
Materials	qualified in accordance with UL94 V-0

Metallized polyester film capacitors

MKT 370

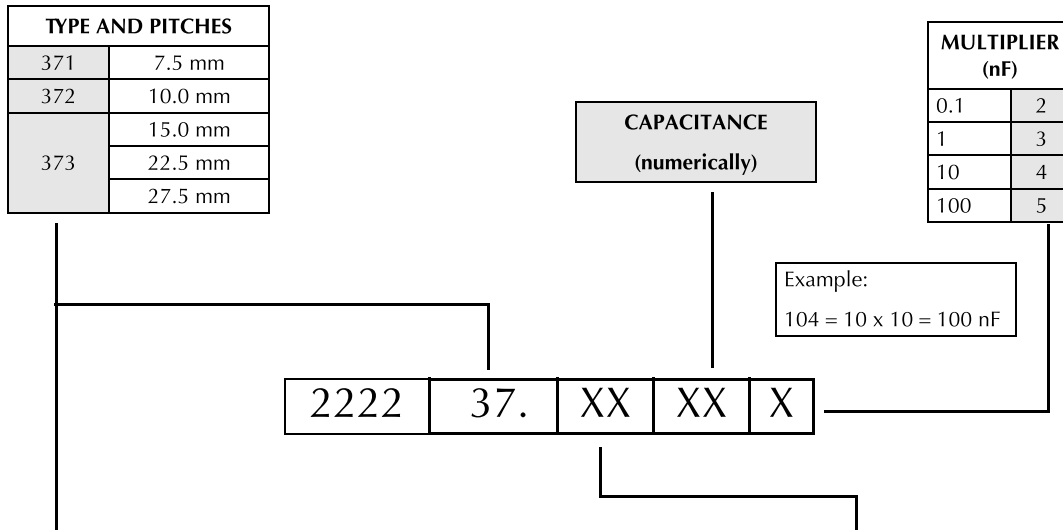
COMPOSITION OF CATALOGUE NUMBER



TYPE	PACKAGING	LEAD CONFIGURATION	PREFERRED TYPES				
			C-TOL	63 V	100 V	250 V	400 V
370	ammopack		±10%	75	85	35	65
			±5%	76	86	36	66
			ON REQUEST				
370	loose in box	lead length 4.0 mm	±10%	11	21	41	51
			±5%	12	22	42	52
	loose in box	lead length 26.0 mm	±10%	15	25	45	55
			±5%	16	26	46	56
taped on reel			±10%	18	28	48	58
			±5%	19	29	49	59

Metallized polyester film capacitors

MKT 371/372/373



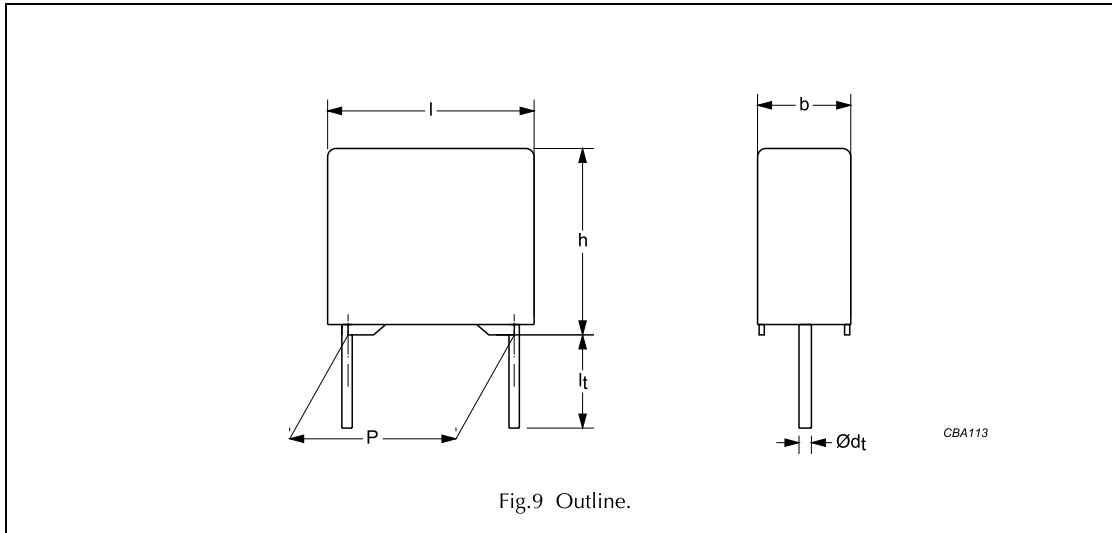
TYPE	PACKAGING	LEAD CONFIGURATION	PREFERRED TYPES					
			C-TOL	63 V	100 V	250 V	400 V	630 V
371	loose in box	lead length 4.0 mm	±10%	11	21	41	51	–
			±5%	12	22	42	52	–
	ammopack		±10%	38	68	78	88	–
			±5%	39	69	79	89	–
372	loose in box	lead length 4.0 mm	±10%	–	21	41	51	61
373	loose in box	lead length 5.0 mm	±10%	–	23	43	53	63
			ON REQUEST					
371	loose in box	lead length 26.0 mm	±10%	15	25	45	55	–
			±5%	16	26	46	56	–
	taped on reel		±10%	35	65	75	85	–
			±5%	36	66	76	86	–
372	loose in box	lead length 4.0 mm	±5%	–	22	42	52	62
			±10%	–	25	45	55	65
	taped on reel		±5%	–	26	46	56	66
			±10%	–	28	48	58	68
ammopack		±5%	–	29	49	59	69	
		±10%	–	29	49	59	69	
373	loose in box	lead length 5.0 mm	±5%	–	24	44	54	64
			±10%	–	27	47	57	67
	taped on reel		±5%	–	28	48	58	68

Metallized polyester film capacitors

MKT 371

MKT 371 GENERAL DATA

PITCH 7.5 mm



Specific reference data for the 100 V DC capacitors

DESCRIPTION	VALUE		
	at 1 kHz	at 10 kHz	at 100 kHz
Tangent of loss angle: $C \leq 0.1 \mu\text{F}$	$\leq 75 \times 10^{-4}$	$\leq 130 \times 10^{-4}$	$\leq 250 \times 10^{-4}$
$0.1 \mu\text{F} < C \leq 0.47 \mu\text{F}$	$\leq 75 \times 10^{-4}$	$\leq 130 \times 10^{-4}$	$\leq 300 \times 10^{-4}$
Rated voltage pulse slope $(dU/dt)_R$ at 100 V (DC)	36 V/ μs		
R between leads, for $C \leq 0.33 \mu\text{F}$ at 100 V; 1 minute	>15000 M Ω		
RC between leads, for $C > 0.33 \mu\text{F}$ at 100 V; 1 minute	>5000 s		
R between interconnected leads and case (foil method)	>30000 M Ω		
Withstanding (DC) voltage (cut off current 10 mA); rise time 100 V/s	160 V; 1 minute		
Withstanding (DC) voltage between leads and case	200 V; 1 minute		

Available 100 V DC versions

PACKAGING	DIMENSIONS	C-tol	FIRST 9 DIGITS OF CATALOGUE NUMBER	ORDERING
Loose in box	$l_t = 4.0 +1.0/-0.5$ mm (short leads)	$\pm 10\%$	2222 371 21...	preferred
		$\pm 5\%$	2222 371 22...	preferred
Ammopack	$H = 18.5$ mm; $P_0 = 12.7$ mm	$\pm 10\%$	2222 371 68...	preferred
		$\pm 5\%$	2222 371 69...	preferred
Loose in box	$l_t = 26.0 \pm 2.0$ mm (long leads)	$\pm 10\%$	2222 371 25...	on request
		$\pm 5\%$	2222 371 26...	on request
Taped on reel	$H = 18.5$ mm; $P_0 = 12.7$ mm reel diameter 356 mm	$\pm 10\%$	2222 371 65...	on request
		$\pm 5\%$	2222 371 66...	on request

Metallized polyester film capacitors

MKT 371

 $U_{Rdc} = 100 \text{ V}; U_{Rac} = 63 \text{ V}$

C (MF)	DIMENSIONS $b \times h \times l$ (mm)	MASS (g)	CATALOGUE NUMBER 2222 371 AND PACKAGING							
			LOOSE IN BOX				AMMOPACK			REEL
			$l_t =$ 4.0 +1.0/-0.5 mm		short leads	long leads	H = 18.5 mm; P ₀ = 12.7 mm		SPQ	SPQ
			C-tol = ±10%	C-tol = ±5%	C-tol = ±10%	C-tol = ±5%				
last 5 digits of catalogue number		SPQ	SPQ	last 5 digits of catalogue number		SPQ	SPQ			
Pitch = 7.62 +0.30/-0.40 mm; d_t = 0.50 ±0.05 mm										
0.018	2.5 × 6.5 × 10.0	0.3	21183	22183	1000	1000	68183	69183	2000	2000
0.022			21223	22223			68223	69223		
0.027			21273	22273			68273	69273		
0.033			21333	22333			68333	69333		
0.039			21393	22393			68393	69393		
0.047			21473	22473			68473	69473		
0.056	3.0 × 8.0 × 10.0	0.4	21563	22563	1000	1000	68563	69563	1500	1500
0.068			21683	22683			68683	69683		
0.082			21823	22823			68823	69823		
0.1			21104	22104			68104	69104		
0.12	4.0 × 9.0 × 10.0	0.5	21124	22124	1000	1000	68124	69124	1000	1500
0.15			21154	22154			68154	69154		
0.18			21184	22184			68184	69184		
0.22			21224	22224			68224	69224		
0.27	5.0 × 10.5 × 10.0	0.7	21274	22274	1000	1000	68274	69274	1000	1000
0.33			21334	22334			68334	69334		
0.39			21394	22394			68394	69394		
0.47			21474	22474			68474	69474		