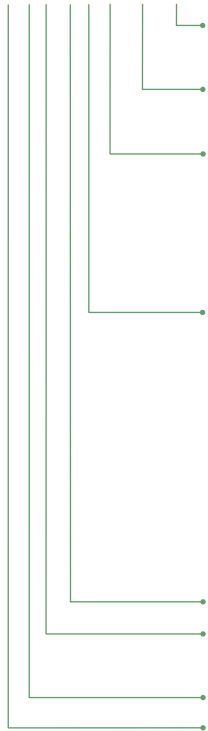


Part Number Guide

Neutrik® Part Number Guide

NC3FAH1-0-X



Shell:	B	Black shell, gold contacts	
	BAG	Black shell, silver contacts	
Retention:	w/o	Latch Lock	
	-0	Retention Spring	
Grounding:	0	Separate ground contact connected to shell, male only	
	1	Pin 1 & Panel & Shell connected, no separate ground contact	
	2	Separate ground contact connected to shell & panel, separate Pin 1	
	E	Additional ground contacts	
	w/o number	No ground / Shell contact (except 4 / 5 pole), female only	
	Termination:	H	Horizontal PCB mount
HL		Lateral left PCB mount	
HR		Lateral right PCB mount	
L		Solder Cups	
V		Vertical PCB mount	
Y		IDC for wires (no ground)	
M3		Mounting holes with M3 thread	
M25		Mounting holes with M2.5 thread	
-		Not applicable	
Series:		A, AA, B, BA, D, DL, DLX, MPR, P, X, XX	
Gender:		F	Female
	M	Male	
Number of Contacts:	3, 4, 5, 6, 7, 8, 12		
Connector Type:	A	Adapter	
	AC	PowerCon®	
	B	BNC	
	C	Connector	
	E	RJ45	
	F	RCA / CINCH	
	J (MJ, RJ, SJ)	Jack	
	K	Cable Assemblies	
	L	Loudspeaker	
	M	Modules	
	O	Fiber Connector	
	P	Plugs	
	PP	Patch Panel	
	R	Circular Connector	
	T	Transformer	

XLR Chassis Connectors



A Series

AA Series



NC3FAH1



NC3MAHR



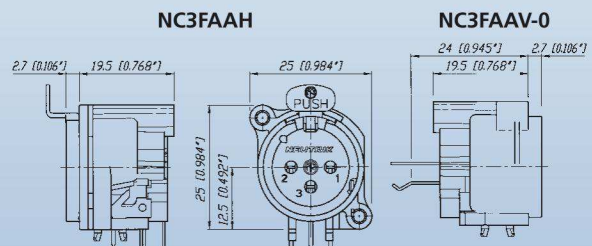
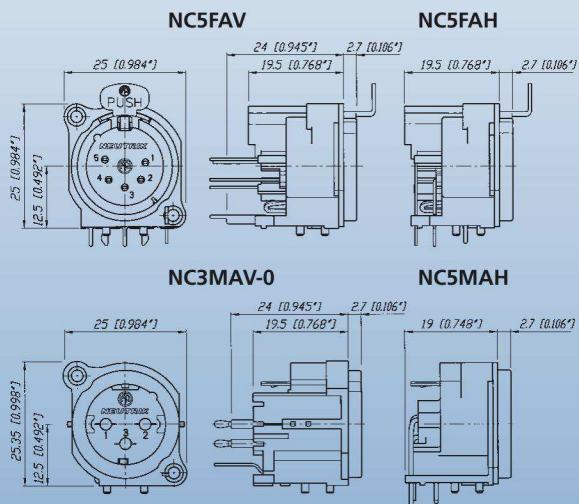
NC3FAAV2



NC3MAAH-1

- Smallest XLR receptacles, highest packing density
- Plastic housing, steel retention lug
- Fork type female contacts
- Polished contact areas and hard gold plating
- Various grounding options

- Front panel cutout and PCB layout 100% compatible to the A Series
- Most cost-effective series
- "Tulip" type female contact design with high contact pressure
- Selective gold plated contact and PCB termination area for best conductivity and solderability
- Plastic housing flammability UL 94 HB



Grounding Options (A / AA / B / BA Series):

- 1 ... Pin 1 & Panel & Shell connected, no separate ground contact
 - 2 ... Separate ground contact connected to shell & panel, separate Pin 1
- w/o number: No ground / Shell contact (except 4 / 5 pole)

t o i d e n t i f y t h e o r i g i n a l