

L50/L51 T1 3/4 — RoHS Compliant Front Mount LED Indicator

Special Features

- Front mounting, snap-in—no mounting hardware required
- Simplified one-piece construction
- Fits panel thickness from .031" (.787) to .062" (1.574)

Specifications

- Mounting hole: .250" (6.35)
- Termination: 22 AWG 6" gray (anode) and black (cathode) leads stripped to 1/4" standard; optional bi-pin available
- Custom lead lengths and colors available
- Body material: Black PP

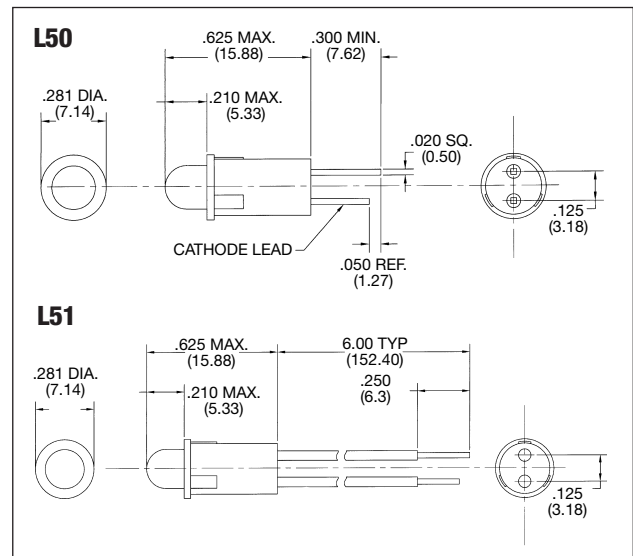
Electrical and Optical Characteristics (T_A=25°C)

LED Part#	Color	Luminous Intensity (mcd) Typ.@I _F (mA)	V _F Typ.@I _F (mA)	Viewing Angle 2Θ 1/2	Peak Wavelength (nm)	More LED Data Page#		
HIGH EFFICIENCY								
9102	Red	5.6	10	2.0	20	60°	635	24
9103	Green	5.6	10	2.2	20	60°	565	24
9104	Yellow	5.6	10	2.1	20	60°	585	24
9105	Orange	5.6	10	2.0	20	60°	630	24
LOW CURRENT								
9121	Red	2.5	2	1.7	2	60°	625	25
9122	Yellow	1.6	2	1.9	2	60°	590	25
9123	Green	1.6	2	1.8	2	60°	565	25
5V INTERNAL RESISTOR								
9124	Red	16.0	12	5.0	12	60°	625	26
9125	Yellow	16.0	12	5.0	12	60°	565	26
9126	Green	16.0	12	5.0	12	60°	590	26
BICOLOR								
9109	Red	38.0	20	2.0	20	60°	660	27
	Green	13.0	20	2.2	20		565	
9128	Yellow	10.0	20	2.1	20	60°	590	27
	Green	20.0	20	2.2	20		565	
ULTRA BRIGHT								
9129	Red	80.0	10	2.0	10	30°	625	24
9130	Green	50.0	10	2.2	10	30°	565	24
9131	Yellow	80.0	10	2.1	10	30°	590	24
SUPER ULTRA BRIGHT								
9132	Red	1500.0	20	1.85	20	30°	660	29
9133	Green	250.0	20	2.2	20	30°	565	29



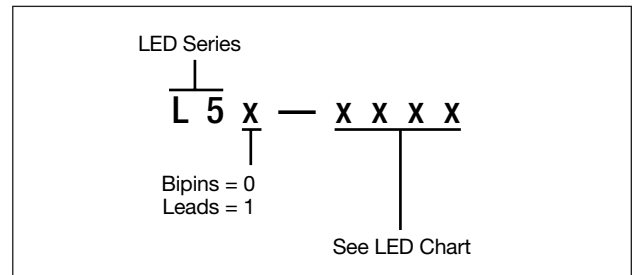
5mm Panel Mount LED Assemblies

Package Dimensions



All Dimensions are in inches (mm)

How To Order



WILBRECHT
ELECTRONICS, INC.

LED
DIVISION