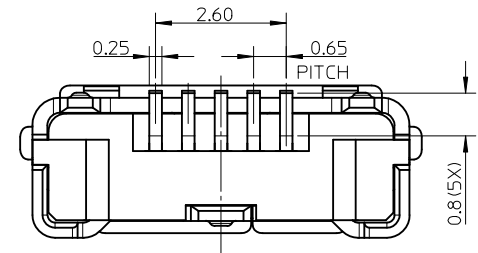
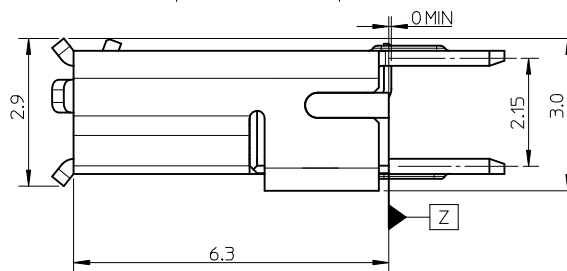
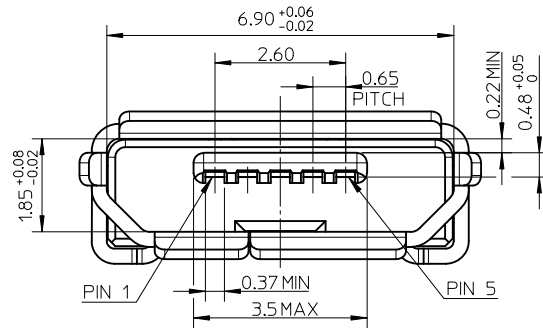
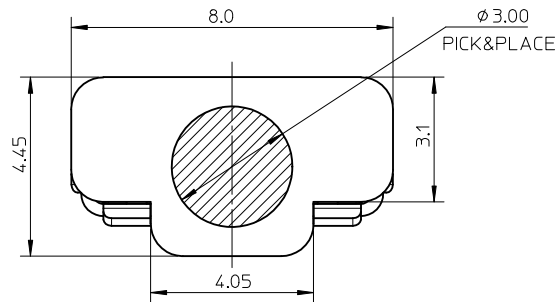


RECOMMENDED PCB LAYOUT (THICKNESS=1.6mm)  
GENERAL TOLERANCE: ±0.05



NOTES:

- MATERIAL:  
HOUSING & COVER: HIGH TEMPERATURE THERMOPLASTIC, BLACK, UL94V-0;  
TERMINAL: COPPER ALLOY, THICKNESS: 0.15mm;  
SHELL: STAINLESS STEEL, THICKNESS: 0.30mm.
- PLATING:  
TERMINAL: CONTACT AREA: GOLD FLASH OVER MINIMUM 0.75 MICRON Pd/Ni;  
SOLDER TAIL AREA: GOLD FLASH;  
UNDER PLATING: NICKEL 2.0 MICROMN MINIMUM.  
SHELL: MATTE TIN 1.27 MICRON MINIMUM;  
UNDER PLATING: NICKEL 1.27 MICRON MINIMUM.
- TAIL COPLANARITY 0.08mm MAXIMUM.
- PRODUCT SPECIFICATION: PS-47642-01.
- PACKAGE SPECIFICATION: PK-105133-001.
- COMPLIANT TO RoHS DIRECTIVE 2002/95/EC AND ELV 2000/53/EC.

NEW RELEASE EC NO: SH2012-0424 DRWN:XQZHANG 2012/05/07 CHKD:XQZHANG 2012/06/18 APPR:AYIN 2012/06/22	QUALITY SYMBOLS $\nabla_{F_A}=0$ $\nabla_{F_C}=0$ $\nabla_{F_B}=0$	GENERAL TOLERANCES (UNLESS SPECIFIED)		DIMENSION STYLE MM ONLY		SCALE 1:1	DESIGN UNITS METRIC	THIRD ANGLE PROJECTION	
			mm	INCH	DRAWN BY XQZHANG	DATE 2012/05/07	TITLE MICRO USB B RECEPTACLE VERTICAL TYPE  <b>molex</b> DOCUMENT NO. SD-105133-011 SHEET NO. 1 OF 1		
		4 PLACES	± ---	± ---	CHECKED BY XQZHANG	DATE 2012/05/07			
		3 PLACES	± ---	± ---	APPROVED BY AYIN	DATE 2012/06/22			
2 PLACES	± 0.20	± ---	MATERIAL NO. 105133-0011						
			1 PLACE	± 0.25	± ---	DRAFT WHERE APPLICABLE MUST REMAIN WITHIN DIMENSIONS			
			0 PLACE	± ---	± ---	THIS DRAWING CONTAINS INFORMATION THAT IS PROPRIETARY TO MOLEX INCORPORATED AND SHOULD NOT BE USED WITHOUT WRITTEN PERMISSION			