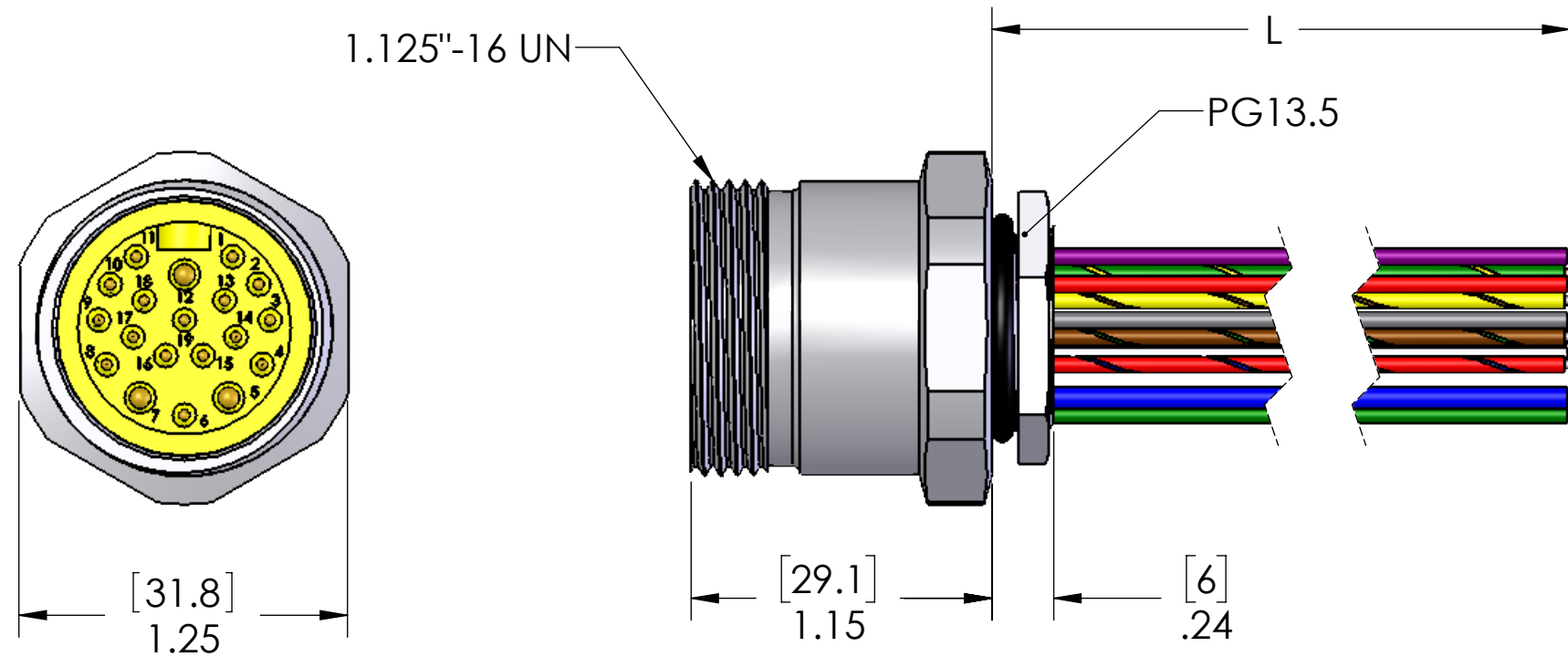


PIN #	COLOR	PIN #	COLOR
1	VIOLET	11	BLACK
2	RED	12	GRN / YEL
3	GRAY	13	YELLOW w/BRWN
4	RED w/BLUE	14	BROWN w/GRN
5	BLUE	15	WHITE
6	GREEN	16	YELLOW
7	BROWN	17	PINK
8	WHITE w/GRN	18	GRAY w/BRWN
9	WHITE w/YEL	19	GRAY w/PINK
10	WHITE w/GRY		

PINS 5, 7 & 12 ARE 18AWG



P/N	L
MIN-19MR-0.3M-PG13.5	12" [0.3m]
MIN-19MR-0.5M-PG13.5	20" [0.5m]
MIN-19MR-0.6M-PG13.5	24" [0.6m]
MIN-19MR-1M-PG13.5	40" [1m]
MIN-19MR-2M-PG13.5	79" [2m]
MIN-19MR-3M-PG13.5	118" [3m]
MIN-19MR-5M-PG13.5	197" [5m]
MIN-19MR-10M-PG13.5	393" [10m]

MATERIALS	
BODY:	CLEAR ANODIZED ALUMINUM
INSERT:	YELLOW PVC
CONTACTS:	GOLD PLATED COPPER ALLOY
CABLE:	18AWG & 22AWG UL1007/1569
O-RING:	NBR
LOCK-NUT:	NICKEL PLATED BRASS

APPROVALS	
U.S.	UL LISTED
CANADA	C-UL LISTED

Please note that to better serve the varying needs of our customers, these parts have been UL tested for two different amperage ratings as shown by our Ratings table.

RATINGS:	
PIN 12	GROUND
PINS 5 & 7	300V, 6A
ALL OTHERS	300V, 1A
OR	
PIN 12	GROUND
PINS 5 & 7	300V, 4A
ALL OTHERS	300V, 2A

UNLESS OTHERWISE SPECIFIED:	
DRAWN BY	ADM
DRAWN DATE	09/22/2016
CHECKED BY	
CHECK DATE	
COMMENTS:	
DO NOT SCALE DRAWING	

**PROPRIETARY AND CONFIDENTIAL**  
THE INFORMATION CONTAINED IN THIS DRAWING IS THE SOLE PROPERTY OF MENCOM CORPORATION. ANY REPRODUCTION IN PART OR AS A WHOLE WITHOUT THE WRITTEN PERMISSION OF MENCOM CORPORATION IS PROHIBITED.

VOLTS	300V
AMPS	6A/1A OR 4A/2A
TEMP:	105°C

MENCOM CORPORATION		
TITLE: 19 POL MAL RECP w/PG13.5 THRDS		
SIZE	DWG. NO.	REV
<b>B</b>	MIN-19MR-ZZ-PG13.5	<b>A</b>
SCALE: 1.5:1	WEIGHT:	SHEET 1 OF 1