



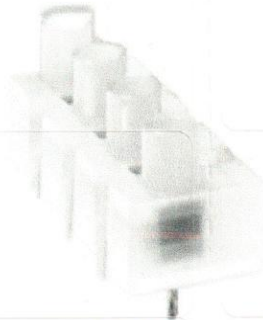
Plug-in Screw Connector System for Printed Circuit Boards

TYPE 322-FBG

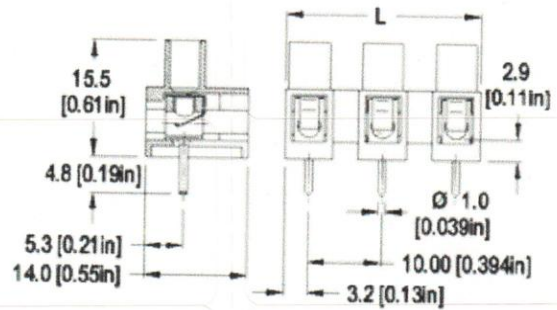
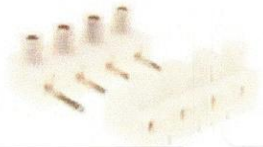
10 mm spacing - 2 to 12 poles



Distributor Stock Check



322-FBG



Dimensions: mm (in.)

Length of Connector (L)

L = No. of Poles x Center to Center Spacing - 3 mm

When locating connector, allow 0.5 mm clearance around it for process-induced variations.

One possible variation of assembly



RoHS WEEE Pb free surface compliant

Approval Information

UL File No.E69841

CSA File No.LR24322

Rating	Current(A)	Voltage(V)	Application group	AWG
UL	20	300	B,C,D	
CSA	15	300	B	26-10
CSA	10	300	D,E	26-10

* UL: shall be mounted on a suitable insulated surface, on standoffs, or equivalent means to maintain spacing from live parts to the mounting surface, use group C.

Screw Tightening Torque:

CSA: 0.51 Nm

Rated Impulse Withstand Voltage: 6000 V

Description

- Socket
- Plug-In Direction and Wire Entrance Parallel to PCB when plugged with 322-SVW (-DS)
- Plug-In Direction and Wire Entrance Parallel to PCB when plugged with 322-SVG (-DS)
- Can be board to board connected when plugged with 322-SVG (-DS)

Technical Data

Center to Center Spacing: 10 mm (0.394 in.)
Recommended Hole Diameter in PC Board: 1.3 mm (0.051 in.)

Material

Molding: Polyamide, UL 94, V-2, color off-white

Temperature limits:

Short Time: 140°C (284°F)

Continuous: RTI 105°C (221°F)

Low Limit: -40°C (-40°F)

Comparative Tracking Index: CTI≥600V

Oxygen Index Rating: 25%

Terminal Body: Tin plated copper alloy