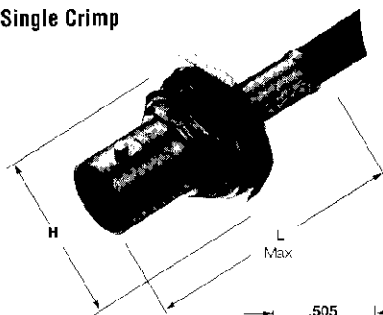


BNC Connectors, 50 Ohm (Continued)

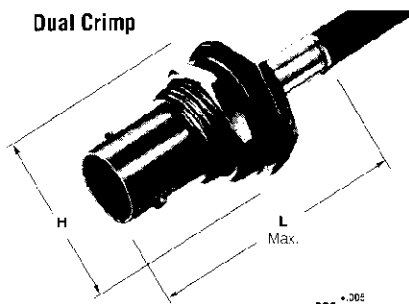
Bulkhead Jacks, Crimp

Note: Panel Insulating Bushings — Page 30

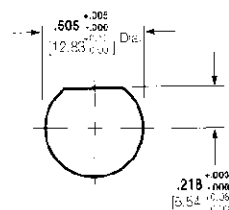
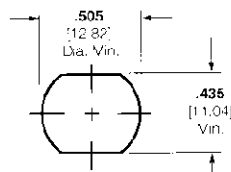
Single Crimp



Dual Crimp



Recommended Panel Cutouts
Maximum Panel Thickness: **.125** [.318]



H = 11/16" across flats, .800 [20.32] Max. across points

Connector Cable Range Selection Code†	RG/U Cable	Termination Type	Center Contact Plating	Body Plating	Dielectric	Style	M39012/ Military No. and/or Comments	Part No.	Dim. L	CERTI-CRIMP Hand Tool with Integral Die	Interchangeable Dies for PRO-CRIMPER Hand Tool 354940-1 or PRO-CRIMPER Adapter 678304-1	Interchangeable Dies for Hand Tool 69710-1 & 626 Pneu. Head 318161-1
A	178, 178A, 178B, 196, 196A	Single Crimp	Gold	Silver	TEFLON	Mil Type	—	331974	1.265 32.13	69245-4	—	69471
		Hex Crimp	Gold	Nickel	Polymethyl-pentene	Commercial	—	413771-3	1.450 36.83	—	58436-3	—
		Dual Crimp	Gold	Nickel	TEFLON	Mil Type	—	225398-7	1.406 35.71	220009-1	—	220026-1
B	174, 188, 188A, 316	Dual Crimp	Gold	Nickel	Polypropylene	Commercial	—	228980-7	1.375 34.93	220009-5	—	220217-3
		Dual Crimp	Gold	Silver	TEFLON	Mil Type	—	1-331693-2	1.406 35.71	220009-1	—	220026-1
		Single Crimp	Gold	Silver	Polypropylene	Mil Type	—	2-330060-1	1.265 32.13	69245-2	—	69422
		Single Crimp	Gold	Nickel	Polypropylene	Mil Type	—	2-330060-2	1.328 33.74	69245-2	—	69422
		Single Crimp	Gold	Silver	TEFLON	Mil Type	—	2-330063-1	1.265 32.13	96245-2	—	69422
		Hex Crimp	Gold	Nickel	Polymethyl-pentene	Commercial	—	413771-4	1.450 36.83	—	58436-3	—
B1	179, 179A, 179B, 161, 187, 187A, Belden 9221	Dual Crimp	Gold	Nickel	TEFLON	Mil Type	—	225398-8	1.406 35.71	220009-1	—	220026-1
		Single Crimp	Gold	Silver	Polypropylene	Mil Type	—	2-329092-1	1.265 32.13	69245-1	—	69408
		Single Crimp	Gold	Silver	TEFLON	Mil Type	—	2-329458-1	1.265 32.13	69245-1	—	69408
B2	IBM 5353914 Brand Rex T-209A	Dual Crimp	Gold	Silver	TEFLON	Mil Type	—	2-331693-5	1.406 35.71	69477-2	—	69669-2
B3	T mas RD316	Dual Crimp	Gold	Nickel	TEFLON	Mil Type	—	1-225398-5	1.406 35.71	69477-2	—	69669-2
C1	130, 180A, 1303, 195, 195A	Hex Crimp	Gold	Nickel	Polymethyl-pentene	Commercial	—	413771-5	1.450 36.83	—	58433-3	—
		Dual Crimp	Gold	Nickel	TEFLON	Mil Type	—	225398-9	1.406 35.71	69477-2	—	69669-2
C2	Belden 0907, 89907, 8219, Comm/Scope 2104, 3104	Hex Crimp	Gold	Nickel	Polymethyl-pentene	Commercial	—	413771-6	1.450 36.83	—	58435-1	—
		Dual Crimp	Gold	Nickel	Polypropylene	Commercial	—	1-228980-6	1.600 40.64	220187-1	58435-1	220217-1
		Dual Crimp	Gold	Nickel	Polypropylene	Commercial	—	1-228980-5	1.600 40.64	220187-1	58435-1	220217-1

†Refer to page 14 for code specifications.

*Order AMP PRO-CRIMPER Coaxial "D" Crimp Hand Tool assembly 58433-1, which includes dies 58435-1.

†For use with Belden 89907, Comm/Scope 2104 cable only.