



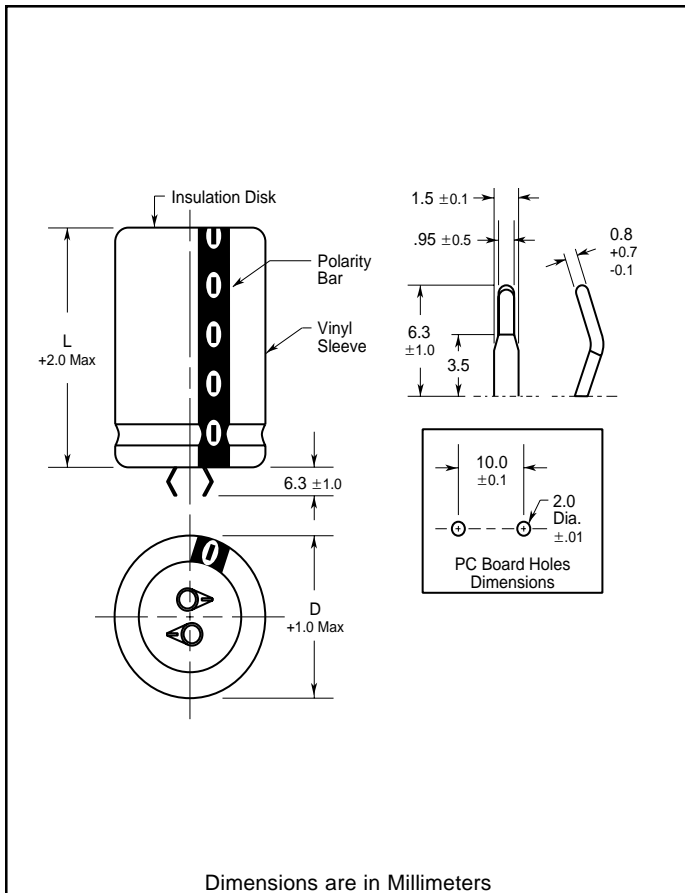
# Type LP Radial Snap-In Capacitors



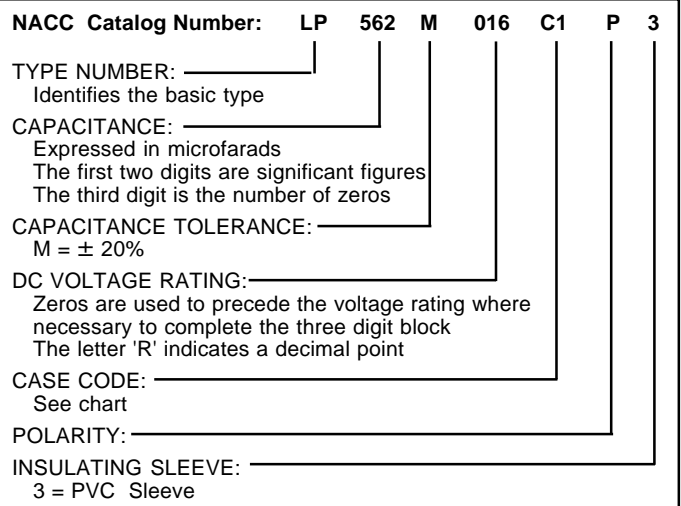
Cap $\mu$ F	Max ESR Ohms @ 120Hz 25°C	Max Ripple Amps @ 120Hz 105°C	Size (Inches)		Size (millimeters)		Catalog Number
			D	L	D	L	
<b>200 WVDC; 250 VDC Surge</b>							
150	1.650	.509	.984	.984	25	25	LP151M200C1P3
150	1.650	.509	.866	.984	22	25	LP151M200A1P3
180	1.400	.571	.984	.984	25	25	LP181M200C1P3
220	1.100	.646	.984	.984	25	25	LP221M200C1P3
220	1.100	.646	1.181	.984	30	25	LP221M200E1P3
220	1.130	.660	.866	1.181	22	30	LP221M200A3P3
270	.920	.790	1.181	.984	30	25	LP271M200E1P3
270	.920	.790	.984	1.181	25	30	LP271M200C3P3
330	.750	.886	1.181	1.181	30	30	LP331M200E3P3
390	.640	.980	.984	1.378	25	35	LP391M200C5P3
470	.540	1.143	1.181	1.378	30	35	LP471M200E5P3
470	.540	1.140	1.181	.984	30	25	LP471M200E1P3
470	.540	1.143	1.378	1.181	35	30	LP471M200H3P3
560	.440	1.310	1.378	1.181	35	30	LP561M200H3P3
680	.370	1.520	1.181	1.181	30	30	LP681M200E3P3
680	.370	1.510	1.181	1.378	30	35	LP681M200E5P3
680	.370	1.510	1.378	.984	35	25	LP681M200H1P3
820	.300	1.750	1.378	1.575	35	40	LP821M200H7P3
820	.300	1.750	1.378	1.181	35	30	LP821M200H3P3
1,000	.250	2.114	1.378	1.969	35	50	LP102M200H9P3
1,000	.250	2.114	1.378	1.378	35	35	LP102M200H5P3
1,200	.165	2.810	1.181	1.969	30	50	LP122M200E9P3
1,200	.165	2.740	1.378	1.378	35	35	LP122M200H5P3
1,500	.134	3.330	1.378	1.772	35	45	LP152M200H4P3
1,800	.112	3.800	1.378	1.969	35	50	LP182M200H9P3

Cap $\mu$ F	Max ESR Ohms @ 120Hz 25°C	Max Ripple Amps @ 120Hz 105°C	Size (Inches)		Size (millimeters)		Catalog Number
			D	L	D	L	
<b>250 WVDC; 300 VDC Surge</b>							
100	2.500	.410	.866	.984	22	25	LP101M250A1P3
150	1.660	.540	.984	.984	25	25	LP151M250C1P3
180	1.400	.686	.984	1.181	25	30	LP181M250C3P3
220	1.130	.710	1.181	.984	30	25	LP221M250E1P3
270	.922	.840	.984	1.181	25	30	LP271M250C3P3
330	.750	.914	1.181	1.181	30	30	LP331M250E3P3
390	.640	1.090	1.378	1.181	35	30	LP391M250H3P3
470	.530	1.260	1.181	1.575	30	40	LP471M250E7P3
470	.530	1.260	1.378	.984	35	25	LP471M250H1P3
560	.347	1.800	1.378	1.181	35	30	LP561M250H3P3
680	.370	1.920	1.181	1.969	30	50	LP681M250E9P3
680	.370	2.070	1.378	1.378	35	35	LP681M250H5P3
820	.243	2.400	1.378	1.575	35	40	LP821M250H7P3
1,000	.200	2.720	1.378	1.772	35	45	LP102M250H4P3
1,200	.165	3.100	1.378	1.969	35	50	LP122M250H9P3

## Outline Dimensions



## Part Number Nomenclature



## Case Code Chart

Millimeters  
(Inches)

Diameter mm (Inches)	Length					
	25 (1.00)	30 (1.18)	35 (1.38)	40 (1.57)	45 (1.77)	50 (2.00)
22 (.87)	A1	A3	A5	A7	A4	A9
25 (1.00)	C1	C3	C5	C7	C4	C9
30 (1.18)	E1	E3	E5	E7	E4	E9
35 (1.38)	H1	H3	H5	H7	H4	H9