

T-23-05

WL005M THRU WL10M

1.0 AMPERE MINIATURE SINGLE PHASE SILICON BRIDGE

**GENERAL
INSTRUMENT**



FEATURES

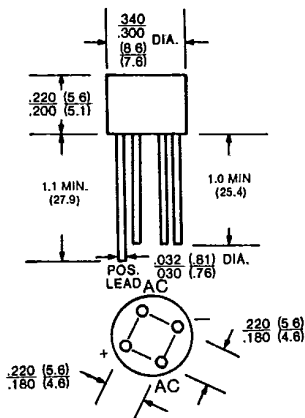
- This series is UL recognized under component index, file number E54214
- Plastic material used carries Underwriters Laboratory flammability recognition 94V-0
- High case dielectric strength
- Typical I_n less than $.1\mu A$
- High overload surge capability
- Ideal for printed circuit board
- High temperature soldering guaranteed: $265^\circ C/10$ seconds/.375" (9.5mm) lead length/5 lbs., (2.3kg) tension

MECHANICAL DATA

Case: Reliable low cost construction utilizing molded plastic technique
 Terminals: Leads solderable per MIL-STD-202, Method 208
 Mounting position: Any
 Weight: 0.05 ounces, 1.3 grams

VOLTAGE RANGE
50 to 1000 Volts

CURRENT
1.0 Ampere



Dimensions in inches and (millimeters)

MAXIMUM RATINGS AND ELECTRICAL CHARACTERISTICS

Ratings at $25^\circ C$ ambient temperature unless otherwise specified.
 60Hz, resistive or inductive load
 For capacitive load, derate current by 20%.

	WL005M	WL01M	WL02M	WL04M	WL06M	WL08M	WL10M	Units
Maximum Recurrent Peak Reverse Voltage	50	100	200	400	600	800	1000	V_{RRM}
Maximum RMS Bridge Input Voltage	35	70	140	280	420	560	700	V_{RMS}
Maximum DC Blocking Voltage	50	100	200	400	600	800	1000	V_{DC}
Maximum Average Forward Rectified Current .375", 9.5mm lead lengths at $T_A=50^\circ C$	1.0							A(AV)
Peak Forward Surge Current, single sine-wave superimposed on rated load (JEDEC Method)	30.0							Apk
I ² t Rating for fusing ($t \leq 8.35ms$)	5.0							A ² s
Maximum Instantaneous Forward Voltage Drop per element at 1.0A	1.2							Vpk
Maximum Reverse Current at Rated DC Blocking Voltage per element	10.0 1.0							μA mA
Typical Junction Capacitance per element (Note 1)	24.0							pF
Maximum Thermal Resistance Θ_{JA} (Note 2)	60.0							$^\circ C/W$
Operating Temperature Range T_A	-50 to +125							$^\circ C$
Storage Temperature Range T_{stg}	-50 to +150							$^\circ C$

NOTES:
 1. Measured at 10MHz and applied reverse voltage of 4.0 volts.
 2. Thermal Resistance from junction to ambient at .375", 9.5mm lead length on P.C. Board mounting.

T-23-05

**RATING AND CHARACTERISTIC CURVES
WL005M THRU WL10M SERIES**

