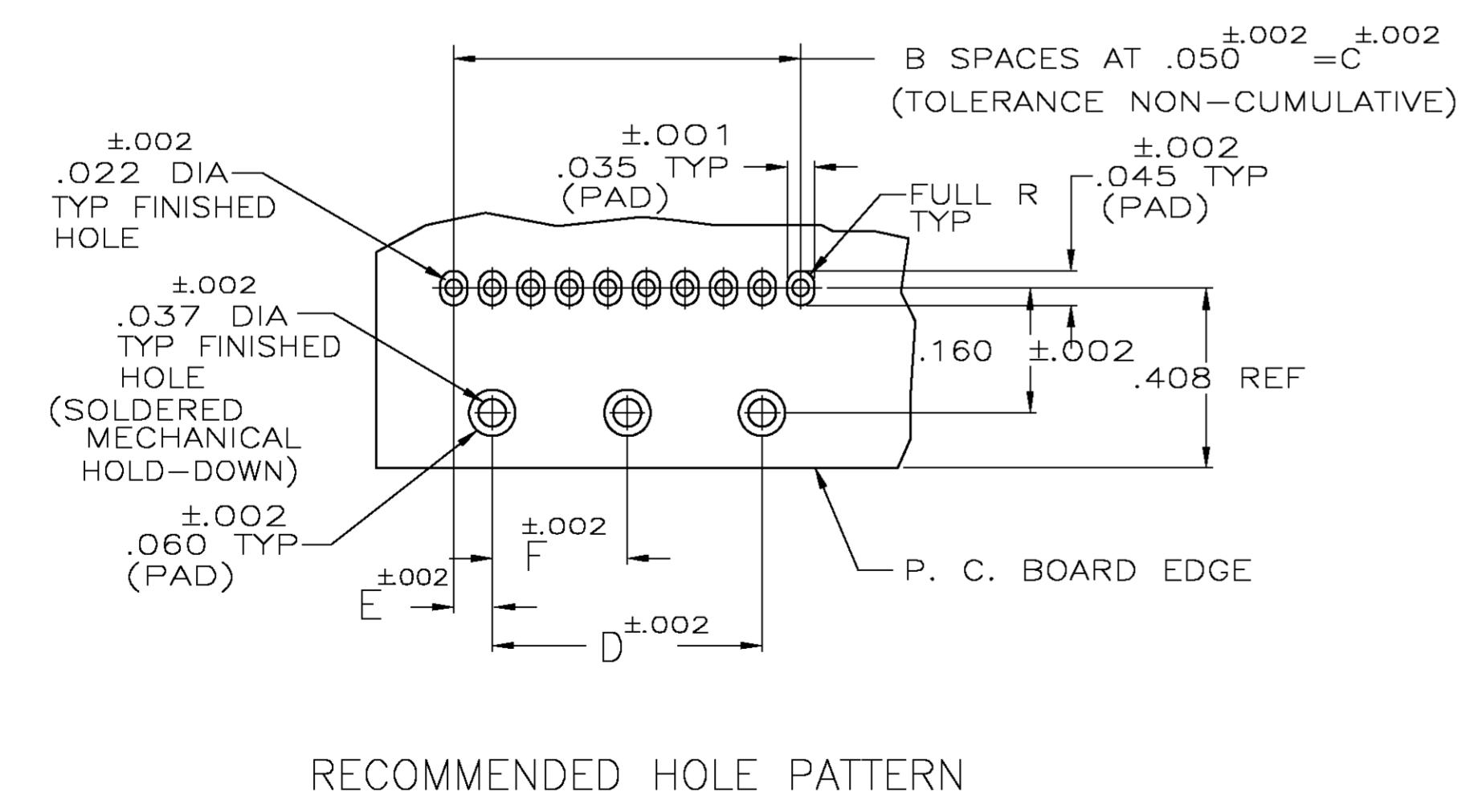
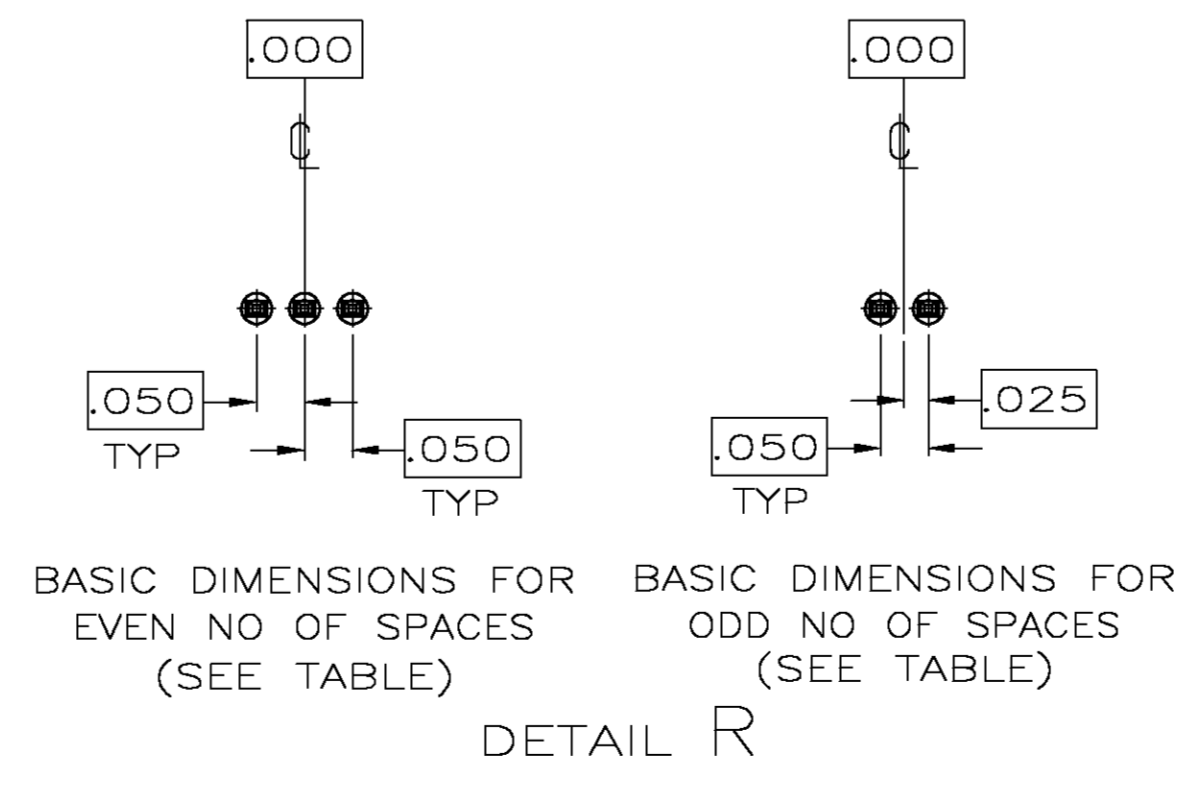
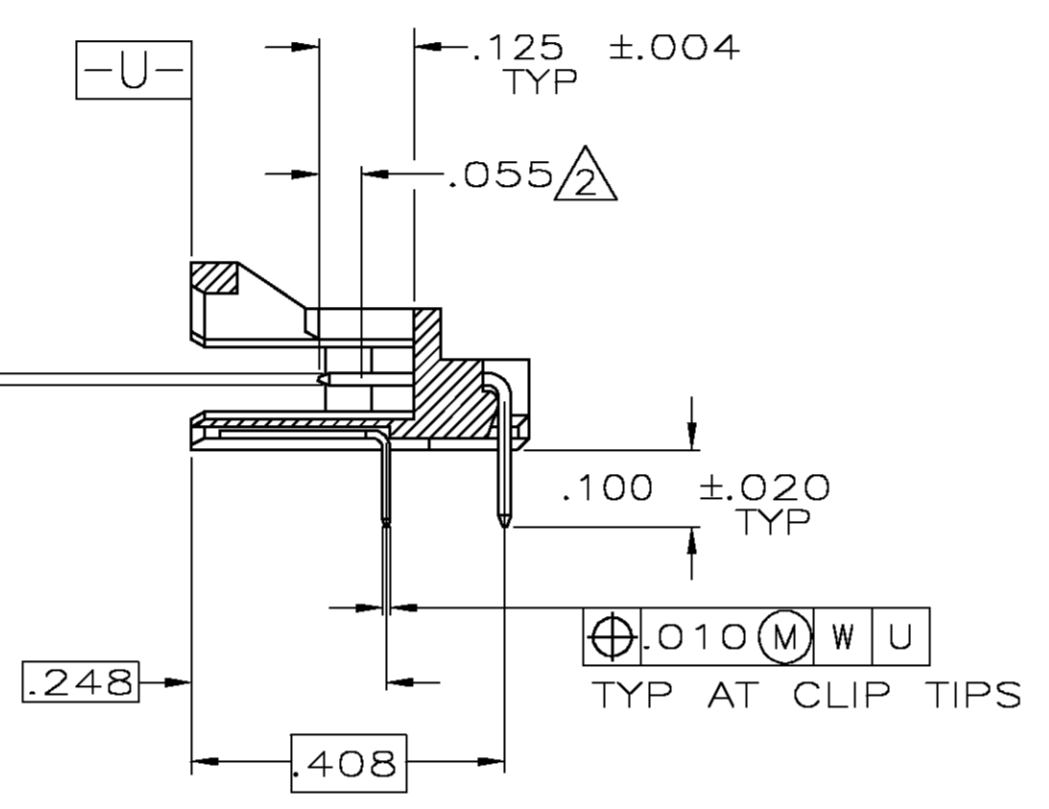


- △ CONTACT AREAS PLATED WITH .000030 GOLD, SOLDER TAILS PLATED WITH .000150 TIN-LEAD, ALL OVER .000050 NICKEL
- △ POINT OF MEASUREMENT FOR GOLD THICKNESS
- △ CIRCUIT IDENTIFICATION FEATURE OMITTED ON 4,5,6 & 7 POSITION HEADER ASSEMBLIES
- △ DIMENSION APPLIES AT BASE OF SHROUD
- △ THE NOTED DIMENSIONS APPLY AT THE INTERSECTION OF THE POST AND HOUSING
- △ CONTACT AREAS PLATED WITH .000030 GOLD, SOLDER TAILS PLATED WITH .000150 TIN, ALL OVER .000050 NICKEL.
- △ MATERIAL: HOUSING- THERMOPLASTIC, COLOR-BLACK
 CONTACT- COPPER ALLOY

HOLD DOWN FEATURES LOCATED AS SHOWN FOR 4 THRU 8 AND 30 THRU 50 POSN ASSEMBLIES (SEE TABLE)
 HOLD DOWN FEATURES LOCATED AS SHOWN FOR 9 THRU 50 POSN ASSEMBLIES (SEE TABLE)



RECOMMENDED HOLE PATTERN



BASIC DIMENSIONS FOR ODD NO OF SPACES (SEE TABLE)
 .050 TYP
 .050
 .025
 .050 TYP

F	E	D	C	B	A	NO OF POSN	PART NUMBER	
6	.625	.050	1.250	1.350	27	1.530	28	7-104074-0
6	1.175	.050	2.350	2.450	49	2.630	50	6-104074-9
6	1.050	.050	2.100	2.200	44	2.380	45	6-104074-8
6	.925	.050	1.850	1.950	39	2.130	40	6-104074-7
6	.825	.050	1.650	1.750	35	1.930	36	6-104074-6
6	.600	.050	1.200	1.300	26	1.480	27	6-104074-5
6	-	.050	.950	1.050	21	1.230	22	6-104074-4
6	-	.050	.700	.800	16	.980	17	6-104074-3
6	-	.050	.500	.600	12	.780	13	6-104074-2
6	-	.050	.450	.550	11	.730	12	6-104074-1
6	-	.175	-	.350	7	.530	8	6-104074-0
6	-	.150	-	.300	6	.480	7	5-104074-9
6	-	.125	-	.250	5	.430	6	5-104074-8
6	-	.075	-	.150	3	.330	4	5-104074-7
6	.675	.050	1.350	1.450	29	1.630	30	5-104074-6
6	-	.050	1.100	1.200	24	1.380	25	5-104074-5
6	-	.050	.850	.950	19	1.130	20	5-104074-4
6	-	.050	.600	.700	14	.880	15	5-104074-3
6	-	.100	-	.200	4	.380	5	5-104074-2
6	-	.050	.350	.450	9	.630	10	5-104074-1
6	.625	.050	1.250	1.350	27	1.530	28	2-104074-0
6	1.175	.050	2.350	2.450	49	2.630	50	1-104074-9
6	1.050	.050	2.100	2.200	44	2.380	45	1-104074-8
6	.925	.050	1.850	1.950	39	2.130	40	1-104074-7
6	.825	.050	1.650	1.750	35	1.930	36	1-104074-6
6	.600	.050	1.200	1.300	26	1.480	27	1-104074-5
6	-	.050	.950	1.050	21	1.230	22	1-104074-4
6	-	.050	.700	.800	16	.980	17	1-104074-3
6	-	.050	.500	.600	12	.780	13	1-104074-2
6	-	.050	.450	.550	11	.730	12	1-104074-1
6	-	.175	-	.350	7	.530	8	1-104074-0
6	-	.150	-	.300	6	.480	7	104074-9
6	-	.125	-	.250	5	.430	6	104074-8
6	-	.075	-	.150	3	.330	4	104074-7
6	.675	.050	1.350	1.450	29	1.630	30	104074-6
6	-	.050	1.100	1.200	24	1.380	25	104074-5
6	-	.050	.850	.950	19	1.130	20	104074-4
6	-	.050	.600	.700	14	.880	15	104074-3
6	-	.100	-	.200	4	.380	5	104074-2
6	-	.050	.350	.450	9	.630	10	104074-1

OBSOLETE
 OBSOLETE
 OBSOLETE

THIS DRAWING IS A CONTROLLED DOCUMENT.		DWN R BROWN 18OCT04	<p>Tyco Electronics Corporation Harrisburg, Pa 17105-3508</p>
DIMENSIONS: INCHES		CHK D SIMPSON 18OCT04	
TOLERANCES UNLESS OTHERWISE SPECIFIED:		APVD D SIMPSON 18OCT04	NAME: HEADER ASSEMBLY, RIGHT ANGLE SINGLE ROW, W/SIDE & END LATCHES AMPMODU SYSTEM 50
0 PLC ± - 1 PLC ± - 2 PLC ± - 3 PLC ± .005 4 PLC ± - ANGLES ± -		PRODUCT SPEC 108-1093	RESTRICTED TO
MATERIAL: △ FINISH: △△△△		APPLICATION SPEC 114-25031	SIZE: A1
CUSTOMER DRAWING		WEIGHT -	CAGE CODE: 00779
SCALE: 4:1		DRAWING NO: 104074	SHEET 1 OF 1