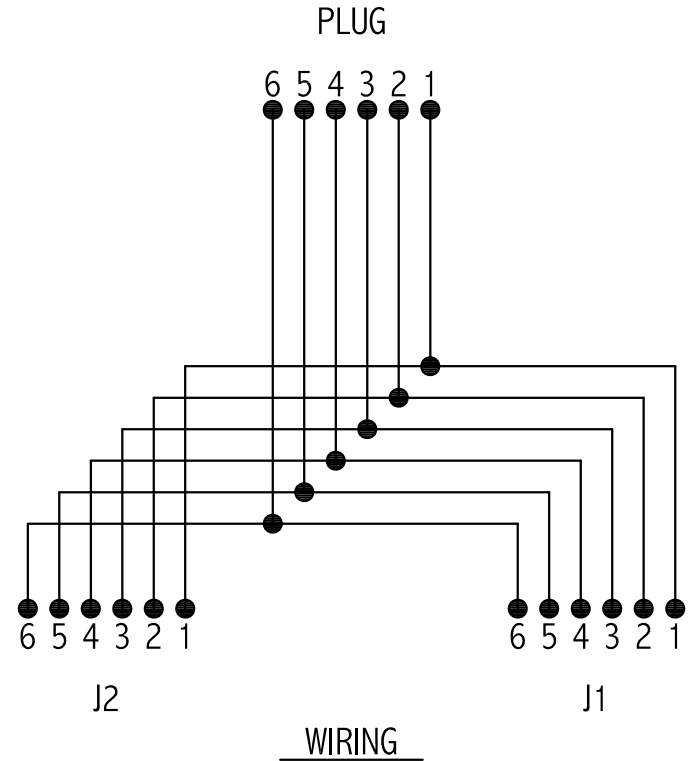
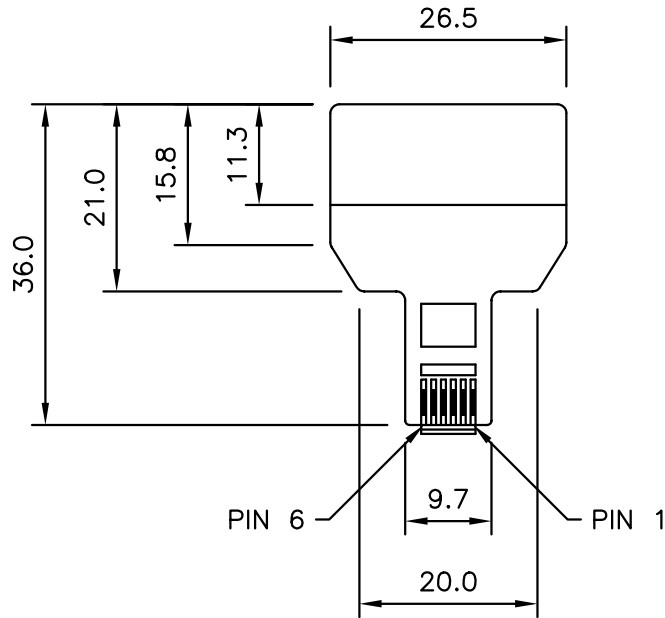
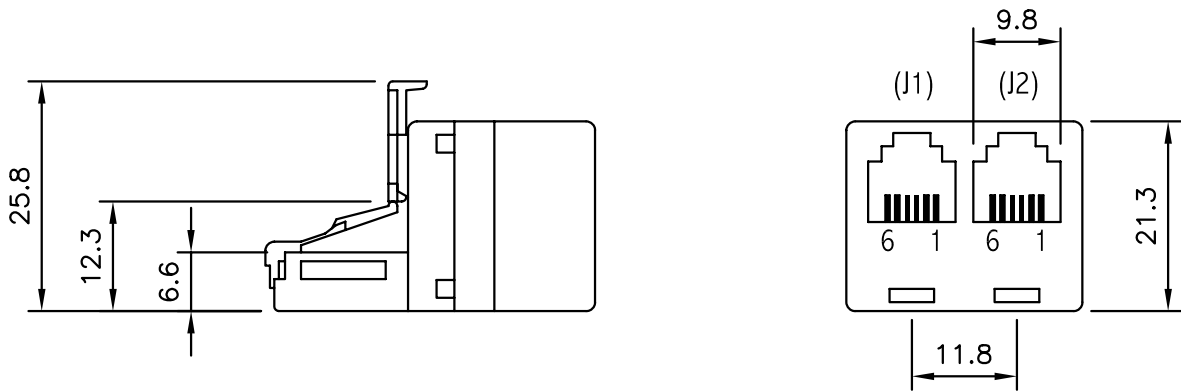


Date	Rev.	Description



DCC. NO.
A4 DRAWING NO.

MATERIAL		GOLDSUN ELECTRONICS CO., LTD.	
DRAWN: Kiki Chen		JAMECO NO. 181091	GOLDSUN NO. SY-267
VERIFY PEOPLE: Wendy Chen, Fanny Du		Description SLPITTER MODULAR IN -LINE STRAIGHT 6P6C	
UNIT: mm	SCALE:	SHEET 1 OF 1	Rev. 1 CAS No: ERN No: