



Datatsheet downloaded from

**WestFlorida**

**C O M P O N E N T S**

[www.westfloridacomponents.com](http://www.westfloridacomponents.com)

# Blade Terminal & Special Purpose Fuses

Low Voltage

**RoHS** **PO** **MINI® Fuse** Fast-Acting Type

The MINI Fuse is smaller than its predecessor, the ATO® Fuse, which permit more fuses in the same amount of space. More fuses in the same space satisfy the requirement that more circuits be individually fused in newer automobiles.

**ELECTRICAL CHARACTERISTICS:**

% of Ampere Rating	Opening Time
110%	100 Hours <b>Minimum</b>
135%	.75 sec., <b>Min.</b> ; 600 sec., <b>Max.</b>
200%	.15 sec., <b>Min.</b> ; 5 sec., <b>Max.</b>
350%	.080 sec., <b>Min.</b> ; .250 sec., <b>Max.</b>
600%	.030 sec., <b>Min.</b> ; .100 sec., <b>Max.</b>

**DESIGN STANDARD:** SAE (Society of Automotive Engineers) J2077.

**PHYSICAL SPECIFICATIONS:**

**Materials:** Body: Nylon  
Terminations: Silver-Plated

**PATENTED**

**INTERRUPTING RATING:**

1000A @ 32VDC

**ORDERING INFORMATION:**

Catalog Number	Ampere Rating (A)	Voltage Rating (VDC)	Body Color Code	Nominal Cold Resistance Ohms	Minimum Melting I <sup>2</sup> t (A <sup>2</sup> Sec.)
297 002	2	32	Grey	0.056	2.8
297 003	3	32	Violet	0.034	9.4
297 004	4	32	Pink	0.024	17
297 005	5	32	Tan	0.018	25
297 07.5	7½	32	Brown	0.011	68
297 010	10	32	Red	0.0073	93
297 015	15	32	Blue	0.0045	270
297 020	20	32	Yellow	0.0032	380
297 025	25	32	Natural	0.0023	625
297 030	30	32	Green	0.0018	1130

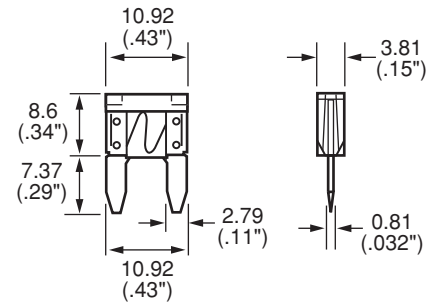
## ATO® Fuse, MINI® Fuse, 3AG Fuse Puller

**ORDERING INFORMATION:**

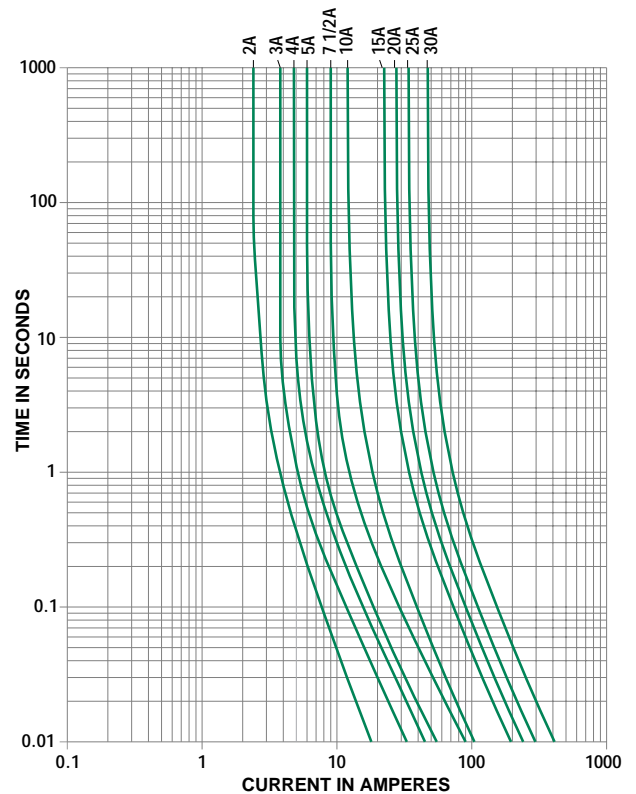
Catalog Number: 097024



**Reference Dimensions**



**Average Time Current Curves**



Reference pg. 344 for MINI® Fuse P.C. Board fuseholders.