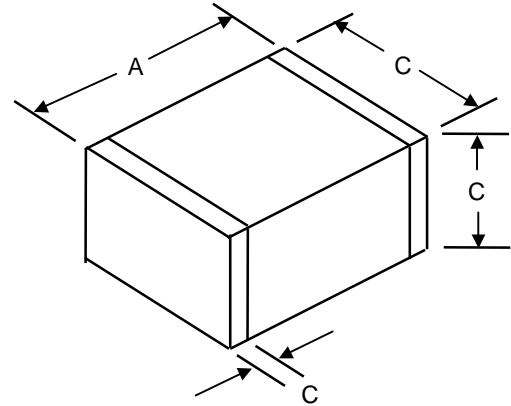
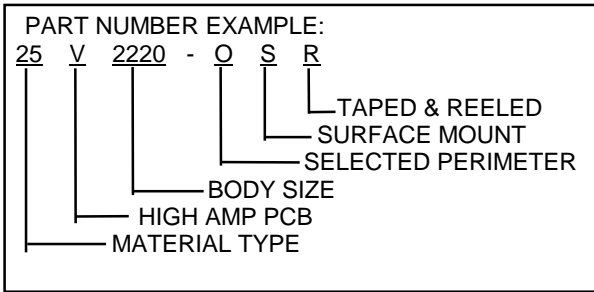




# Steward - Surface Mount EMI Suppression Ferrites



### Single Line Chips / High Current (up to 4 amps)

Part Number	A mm (inches)	B mm (inches)	C mm (inches)	D mm (inches)	Impedance (W) 25% At 100 Mhz 23°C	DC Resistance (W) Max.	Rated Current (mA) Max.
25V2220-0SR	5.59± 0.51 (.220± .020)	5.08±0.25 (.200± .010)	3.30± 0.25 (.130± .010)	.76 ± 0.25 (.030± .010)	600	0.040	3000
25V2220-1SR	5.59± 0.51 (.220± .020)	5.08±0.25 (.200± .010)	3.30± 0.25 (.130± .010)	.76 ± 0.25 (.030± .010)	252	0.040	3000
25V2220-2SR	5.59± 0.51 (.220± .020)	5.08±0.25 (.200± .010)	3.30± 0.25 (.130± .010)	.76 ± 0.25 (.030± .010)	170	0.040	3000
25V2220-3SR	5.59± 0.51 (.220± .020)	5.08±0.25 (.200± .010)	3.30± 0.25 (.130± .010)	.76 ± 0.25 (.030± .010)	600	0.035	4000
25V2220-4SR	5.59± 0.51 (.220± .020)	5.08±0.25 (.200± .010)	3.30± 0.25 (.130± .010)	.76 ± 0.25 (.030± .010)	252	0.035	4000
25V2220-5SR	5.59± 0.51 (.220± .020)	5.08±0.25 (.200± .010)	3.30± 0.25 (.130± .010)	.76 ± 0.25 (.030± .010)	170	0.035	4000

### Single Line Chips / Low Current

Part Number	A mm (inches)	B mm (inches)	C mm (inches)	D mm (inches)	Impedance (W) 25% At 100 Mhz 23°C	DC Resistance (W) Max.	Rated Current (mA) Max.
25Z0805-0SR	2.00± 0.20	1.32±0.20	0.90± 0.20	.46 ± 0.200	11	0.040	3000
25Z0805-1SR	(.079± .008)	(.052± .008)	(.035± .008)	(.18 ± .008)	150		
25Z0805-1SR					600		
25Z1206-0SR	3.20± 0.20	1.60±0.20	1.10± 0.20	.46 ± 0.200	31	0.040	3000
25Z1206-1SR	(.126± .008)	(.063± .008)	(.043± .008)	(.18 ± .008)	90		
25Z1206-2SR					600		
25Z1210-0SR	3.20± 0.20	2.50±0.20	1.30± 0.20	.46 ± 0.200	60	0.040	3000
25Z1210-0SR	(.126± .008)	(.098± .008)	(.051± .008)	(.18 ± .008)			
25Z1806-0SR	4.50± 0.25	1.60±0.20	1.60± 0.20	.46 ± 0.200	150	0.035	4000
25Z1806-0SR	(.177± .010)	(.063± .008)	(.063± .008)	(.18 ± .008)	100		
25Z1812-0SR	4.50± 0.25	3.20±0.20	1.50± 0.20	.46 ± 0.200	125	0.035	4000
25Z1812-0SR	(.177± .010)	(.126± .008)	(.059± .008)	(.18 ± .008)			

To order parts in bulk, change the last character ("R") in the part number to "0."

steward3 rev2 0700.doc

## RFI Industries Pty Limited

EMC ENGINEERS & LABORATORIES

52 – 54 Holloway Drive  
Bayswater Victoria 3153  
AUSTRALIA

t +61 (0)3 8739 6700  
f +61 (0)3 8739 6799

e sales@rfi-ind.com.au  
e emclabs@rfi-ind.com.au

ABN 66 005 273 950

P.O. Box 254  
Bayswater Victoria 3153  
AUSTRALIA

EMC TESTING  
EMC COMPONENTS  
MAGNETIC SHIELDING  
EMC INSTRUMENTATION  
RF ANECHOIC CHAMBERS  
RF/EM SHIELDED ENCLOSURES