

### ZENER DIODE GLASS SEALED

#### APPLICATION:

Voltage Regulation

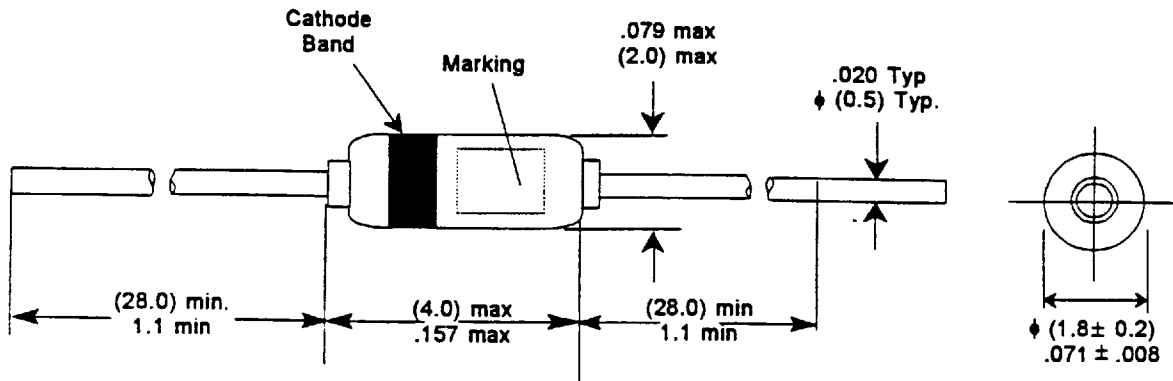
#### MAXIMUM RATINGS: (Ta = 25°C)

Total Power Dissipation (Pd) 500 mW  
 Junction Temperature (Tj) 175°C  
 Storage Temperature (Tstg) -65 to +175°C

#### FEATURES:

- JEDEC 1N5000 Series
- Silicon planar construction
- DO-35 Package
- Available in 8 mm plastic carrier tape
- Voltage range: 2.4 to 91V

#### DIMENSIONS/PACKAGING: (mm)/Inches

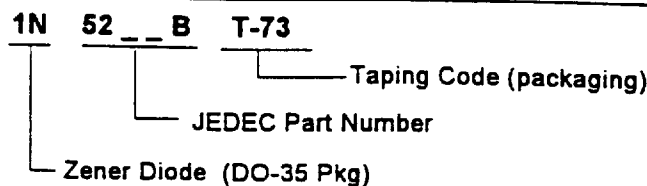


DO-35

Taping Code	Description	Quantity/Pkg.
*T-73	Tape & Reel, 52 mm Axial	5,000
T-72	Ammo Box, 52 mm Axial	5,000
T-77	Ammo Box, 26 mm Axial	5,000
T-88	Ammo Box, 5 mm Pitch, Lengthwise Radial	2,500
None	Bulk	2,000

\*Standard Taping Code

#### HOW TO ORDER:



Example: 1N 5230B T-73

Description: Zener Diode, 4.7V; DO-35 Pkg; T & R; 5,000 pc/reel

## ELECTRICAL CHARACTERISTICS: (Ta=25°C)

1N5000 Series (Package: DO-34)

Part Number	Zener Voltage @ $I_{ZT}$ $V_Z \pm 5\%$ (Volts)			Test Current $I_{ZT}$ (mA)	Max. Zener Impedance		Max. Reverse Leakage Current		Max. Zener Temp Coef. $\theta V_Z$ (%/°C)	Marking
	Nom. $V_Z$	Min. $V_Z$	Max. $V_Z$		$Z_Z$ (Ohms)	$Z @ I_Z = 25\text{mA}$ (Ohms)	$I_R$ (mA)	@ $V_R$ (V)		
1N5221B	2.4	2.28	2.52	20	30	1200	100	1.0	-0.085	5221B
1N5222B	2.5	2.38	2.63	20	30	1250	100	1.0	-0.085	5222B
1N5223B	2.7	5.57	2.84	20	30	1300	75	1.0	-0.080	5223B
1N5224B	2.8	2.66	2.94	20	30	1400	75	1.0	-0.080	5224B
1N5225B	3.0	2.85	3.15	20	29	1600	50	1.0	-0.075	5225B
1N5226B	3.3	3.14	3.47	20	28	1600	25	1.0	-0.070	5226B
1N5227B	3.6	3.42	3.78	20	24	1700	15	1.0	-0.065	5227B
1N5228B	3.9	3.71	4.10	20	23	1900	10	1.0	-0.060	5228B
1N5229B	4.3	4.09	4.52	20	22	2000	5.0	1.0	-0.038	5229B
1N5230B	4.7	4.47	4.94	20	19	1900	5.0	2.0	-0.030	5230B
1N5231B	5.1	4.85	5.36	20	17	1600	5.0	2.0	-0.030	5231B
1N5232B	5.6	5.32	5.88	20	11	1600	5.0	3.0	+0.038	5232B
1N5233B	6.0	5.70	6.30	20	7.0	1600	5.0	3.5	+0.038	5233B
1N5234B	6.2	5.89	6.51	20	7.0	1000	5.0	4.0	+0.045	5234B
1N5235B	6.8	6.46	7.14	20	5.0	750	3.0	5.0	+0.050	5235B
1N5236B	7.5	7.13	7.88	20	6.0	500	3.0	6.0	+0.058	5236B
1N5237B	8.2	7.79	8.61	20	8.0	500	3.0	6.5	+0.062	5237B
1N5238B	8.7	8.27	9.14	20	8.0	600	3.0	6.5	+0.065	5238B
1N5239B	9.1	8.65	9.56	20	10	600	3.0	7.0	+0.068	5239B
1N5240B	10.0	9.50	10.50	20	17	600	3.0	8.0	+0.075	5240B
1N5241B	11.0	10.45	11.55	20	22	600	2.0	8.4	+0.076	5241B
1N5242B	12.0	11.40	12.60	20	30	600	1.0	9.1	+0.077	5242B
1N5243B	13.0	12.35	13.65	9.5	13	600	0.5	9.9	+0.079	5243B
1N5244B	14.0	13.30	14.70	9.0	15	600	0.1	10.0	+0.082	5244B
1N5245B	15.0	14.25	15.75	8.5	16	600	0.1	11.0	+0.082	5245B
1N5246B	16.0	15.20	16.80	7.8	17	600	0.1	12.0	+0.083	5246B
1N5247B	17.0	16.15	17.85	7.4	19	600	0.1	13.0	+0.084	5247B
1N5248B	18.0	17.10	18.90	7.0	21	600	0.1	14.0	+0.085	5248B
1N5249B	19.0	18.05	19.95	6.6	23	600	0.1	14.0	+0.086	5249B
1N5250B	20.0	19.00	21.00	6.2	25	600	0.1	15.0	+0.086	5250B
1N5251B	22.0	20.90	23.10	5.6	29	600	0.1	17.0	+0.087	5251B
1N5252B	24.0	22.80	25.20	5.2	33	600	0.1	18.0	+0.088	5252B
1N5253B	25.0	23.75	26.25	5.0	35	600	0.1	19.0	+0.089	5253B
1N5254B	27.0	25.65	28.35	4.6	41	600	0.1	21.0	+0.090	5254B
1N5255B	28.0	26.60	29.40	4.5	44	600	0.1	21.0	+0.091	5255B
1N5256B	30.0	28.50	31.50	4.2	49	600	0.1	23.0	+0.091	5256B
1N5257B	33.0	31.35	34.65	3.8	58	700	0.1	25.0	+0.092	5257B
1N5258B	36.0	34.20	37.80	3.4	70	700	0.1	27.0	+0.093	5258B
1N5259B	39.0	37.05	40.95	3.2	80	800	0.1	30.0	+0.094	5259B
*1N5260B	43.0	40.85	45.15	3.0	93	900	0.1	33.0	+0.095	5260B
*1N5261B	47.0	44.65	49.35	2.7	105	1000	0.1	36.0	+0.095	5261B
*1N5262B	51.0	48.45	53.55	2.5	125	1100	0.1	39.0	+0.096	5262B
*1N5263B	56.0	53.20	58.80	2.2	150	1300	0.1	43.0	+0.096	5263B
*1N5264B	60.0	57.00	63.00	2.1	170	1400	0.1	46.0	+0.097	5264B
*1N5265B	62.0	58.90	65.10	2.0	185	1400	0.1	47.0	+0.097	5265B
*1N5266B	68.0	64.60	71.40	1.8	230	1600	0.1	52.0	+0.097	5266B
*1N5267B	75.0	71.25	78.75	1.7	270	1700	0.1	56.0	+0.098	5267B
*1N5268B	82.0	77.90	86.10	1.5	330	2000	0.1	62.0	+0.098	5268B
*1N5269B	87.0	82.65	91.35	1.4	370	2200	0.1	68.0	+0.099	5269B
*1N5270B	91.0	86.45	95.55	1.4	400	2300	0.1	69.0	+0.099	5270B

\* Under Development