



Heyco® Straight-Thru Strain Relief Bushings

For Round Cables

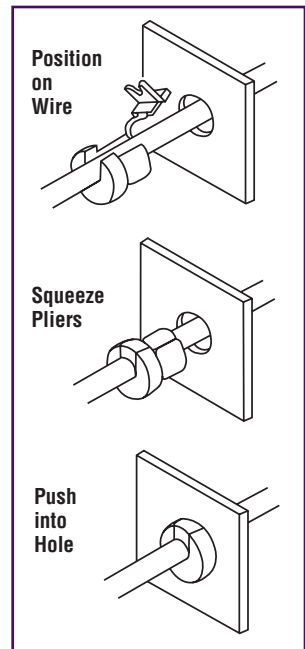
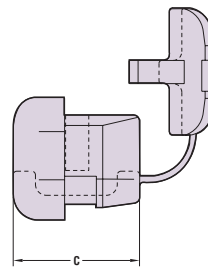
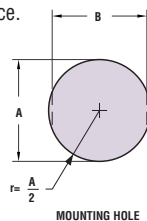


| WILL FIT THESE CABLES | | | | PANEL DIMENSIONS | | | | | | PART NO. | | DESCRIPTION | C BODY LENGTH | | |
|-------------------------------|-----------------|----------------------------|-------------|----------------------|--------------|-----------------------|------|--------------------------------------|------|-------------|-------------|-------------|---------------|------|------|
| UL Type Designation | AWG/ Conductors | Approximate Diameter | | A Mounting Hole Dia. | | B To Prevent Rotation | | Maximum Panel Thickness ¹ | | Black | White | | in. | mm. | |
| | | in. | mm. | in. | mm. | in. | mm. | in. | mm. | | | | | | |
| AWM | — | .125- [*] .187 | 3,2- 4,8 | .375 | 9,5 | .330 | 8,4 | .062 | 1,6 | 1060 | 1061 | SR 2M-1 | .406 | 10,3 | |
| SV & SVT | 18/2 | .220- .245 | 5,6 6,2 | .500 | 12,7 | .450 | 11,4 | .062 | 1,6 | 1157 | 1158 | SR 5MN-3 | .438 | 11,1 | |
| Same as SR 5MN-3 above except | | | | | | | | | .100 | 2,5 | 1140 | 1141 | SR 5M-3 | .438 | 11,1 |
| SV & SVT | 18/2 | .250 | 6,4 | .500 | 12,7 | .450 | 11,4 | .062 | 1,6 | 1150 | 1151 | SR 5N-4 | .438 | 11,1 | |
| | 18/3 | .255 | 6,5 | .500- .515 | 12,7 13,1 | | | | | | | | | | |
| HPD | 18/2 | .270 | 6,9 | .500 | 12,7 | .450 | 11,4 | .062 | 1,6 | 1150 | 1151 | SR 5N-4 | .438 | 11,1 | |
| | 16/2 | .290 | 7,4 | .500- .515 | 12,7 13,1 | | | | | | | | | | |
| Same as SR 5N-4 above except | | | | | | | | | .100 | 2,5 | 1147 | 1148 | SR 5P-4 | .438 | 11,1 |
| SV & SVT | 18/3 | .255 | 6,5 | .500 | 12,7 | .450 | 11,4 | .100 | 2,5 | 1137 | 1138 | SR 5L-1 | | | |
| HPD | 16/2 | .290 | 7,4 | .500 | 12,7 | .450 | 11,4 | .100 | 2,5 | 1137 | 1138 | SR 5P3-4 | .438 | 11,1 | |
| SJ, SJT & SJO | 18/2 | .300 | 7,6 | .500 | 12,7 | .465 | 11,8 | .090 | 2,3 | 1184 | 1185 | SR 6W-1 | .438 | 11,1 | |
| SJ, SJT & SJO | 18/2 | .300 | 7,6 | .625 | 15,9 | .550 | 14,0 | .062 | 1,6 | 1217 | 1218 | SR 6N-4 | .578 | 14,7 | |
| Same as SR 6N-4 above except | | | | | | | | | .125 | 3,2 | 1210 | 1211 | SR 6P-4 | .578 | 14,7 |
| SJ, SJT & SJO | 16/2 | .325 | 8,3 | .625 | 15,9 | .550 | 14,0 | .062 | 1,6 | 1200 | 1201 | SR 6N3-4 | .578 | 14,7 | |
| | 18/3 | .330 | 8,4 | | | | | | | | | | | | |
| | 14/2 | .350 | 8,9 | | | | | | | | | | | | |
| | 16/3 | .355 | 9,0 | | | | | | | | | | | | |
| | 18/4 | .360 | 9,1 | | | | | | | | | | | | |
| Same as SR 6N3-4 above except | | | | | | | | | .125 | 3,2 | 1207 | 1208 | SR 6P3-4 | .578 | 14,7 |
| SJ, SJT & SJO | 18/2 | .300 | 7,6 | .625 | 15,9 | .550 | 14,0 | .156 | 4,0 | 1214 | 1215 | SR 6L-1 | .678 | 17,2 | |
| | 16/2 | .325 | 8,3 | .656 | 16,7 | | | | | | | | | | |
| | 18/3 | .330 | 8,4 | .656 | 16,7 | | | | | | | | | | |
| | 16/3 | .355 | 9,0 | .687 | 17,4 | | | | | | | | | | |

Standard Colors: Black or White. Consult Heyco for other colors.

*AWM cable only.

¹Maximum Panel Thickness—Part has additional clearance.



Material 6/6 "Nylon"
Certifications Recognized under the Component Program of Underwriters' Laboratories File #E-15331.
 Certified by the Canadian Standards Association File #LR-8919
Flammability Rating 94V-2
Material Temperature Index 125°C—Maximum temperature on part not to exceed 105°C

Quick Specs