



THREE FLANGE DUAL PRIMARY 30VA PC BOARD POWER TRANSFORMER



MODEL NUMBER
PL30-XX-130B

REV. Status
REVISION -
12/02/03 YS

REVISION A
ADDED RoHS &
UPDATED LABELS
03/01/06 MP

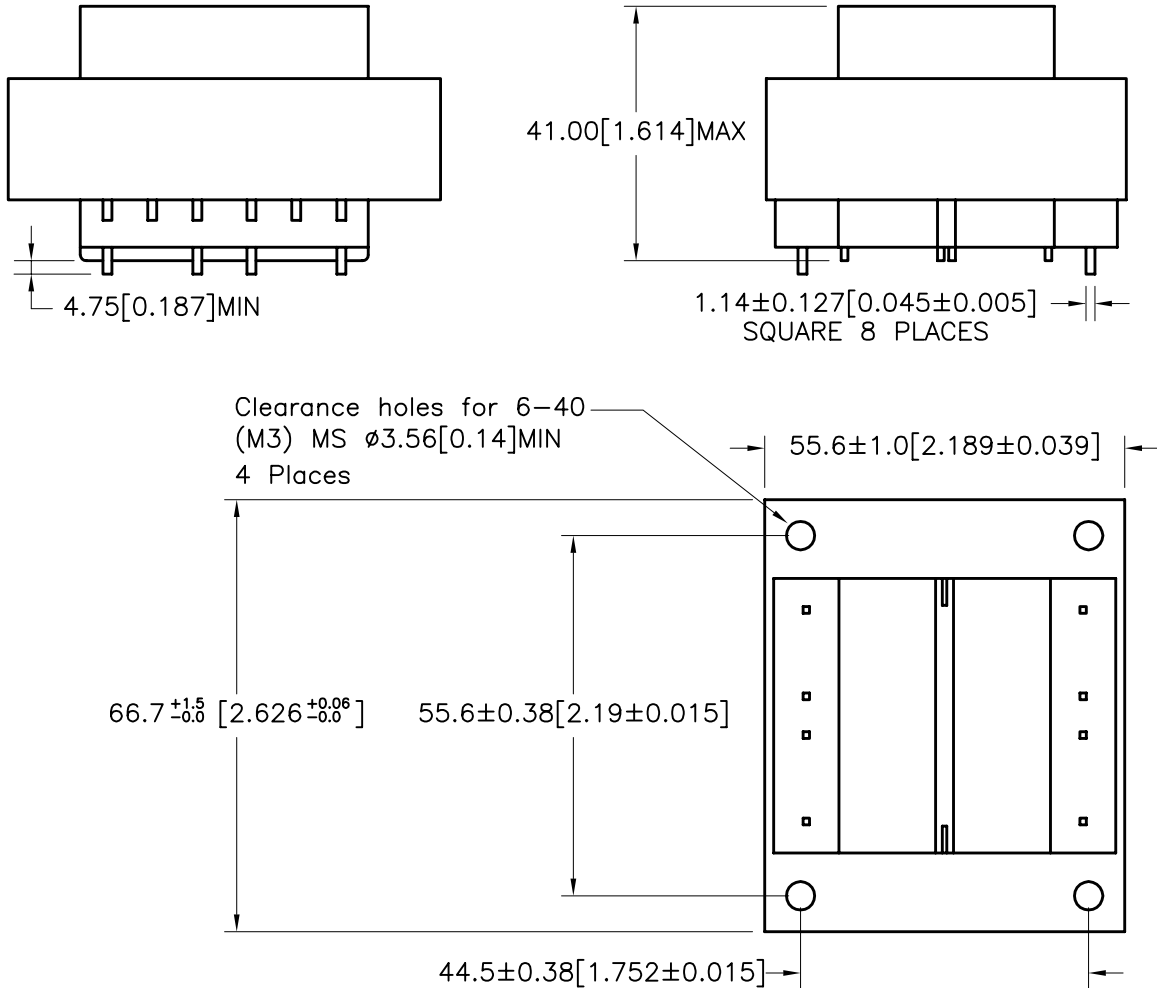
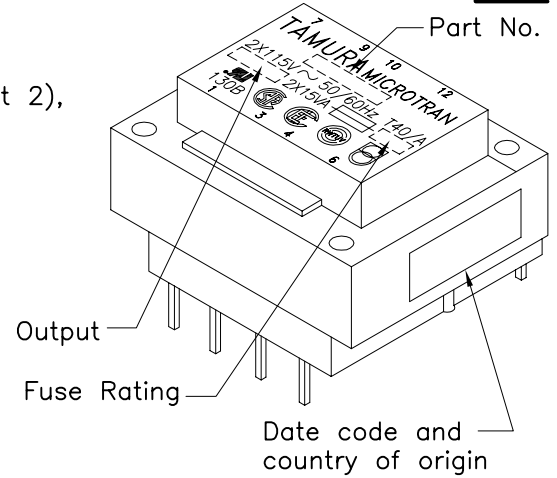
- A. Electrical Specifications (@ 25°C)
1. Maximum Power: 30VA
 2. Input Voltage and Frequency: 115/230V 50/60Hz
 3. Secondary Voltage: See Table A
 4. Voltage Regulation: 23% TYP @ full load to no load
 5. Insulation Resistance:
100MΩ MIN @ 500VDC, Pri to Sec, Pri to Core
100MΩ MIN @ 500VDC, Sec to Core
 6. Hi-Pot: 3500 Vrms 1 minute @ Pri to Sec
1500 Vrms 1 minute @ Pri to Core
500 Vrms 1 minute @ Sec to Core

B. Marking: TAMURA, MICROTRAN, part number (see sheet 2), date code, country of origin, safety logos and input and output ratings

- C. Safety:
- CSA File No. LR69222
 - UL 1411 File No. E138028 Construction only
 - UL 506, General Purpose, File No. E79781.
 - Class B (130°C) File No. E92957
 - TUV File 810/89 (EN60742 and VDE 0551).



D. Mechanical Specifications:



TOLERANCES (mm)	
≤ 4	± 0.2
4 ≤ 20	± 0.3
20 ≤ 50	± 0.4

PREPARED BY:
K. BRENNAN

ENGINEER:
M. PITCHAI

QUALITY CONTROL:
T. CLEM

APPROVED:
Y. SEKIGUCHI

DWG CONTROL NO.
P-A1-12261
ACAD/MXFMR/A1122611.DWG

REV
A

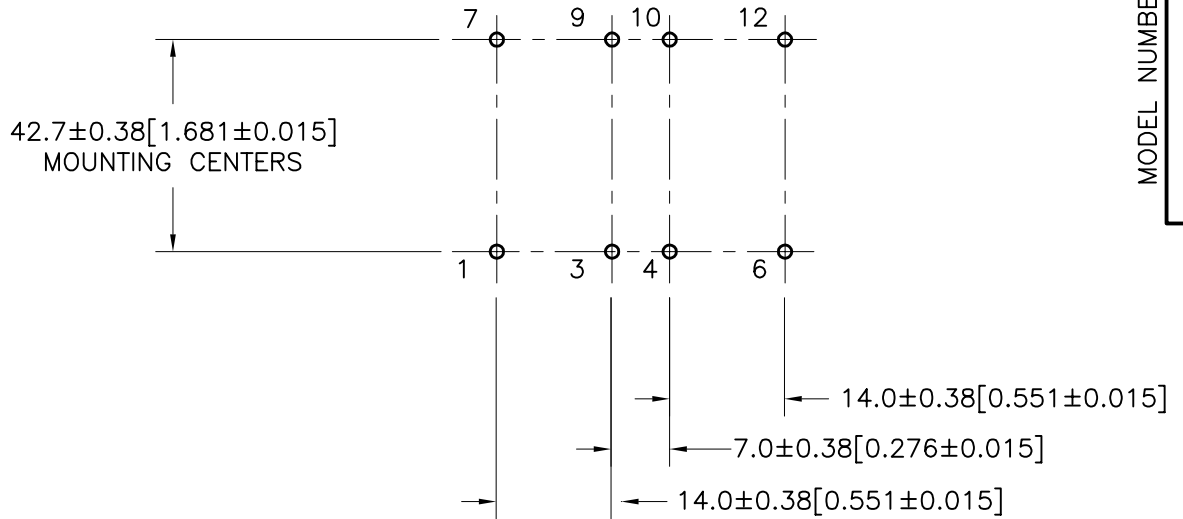
TAMURA CORPORATION OF AMERICA
43352 BUSINESS PARK DRIVE, TEMECULA, CA. 92590-6624
(951) 699-1270 FAX 9516769482

POWER TRANSFORMER
PL30-XX-130B

MODEL SPECIFICATION
DIM: mm(In) SCL: 1/1 SH: 1 OF 2

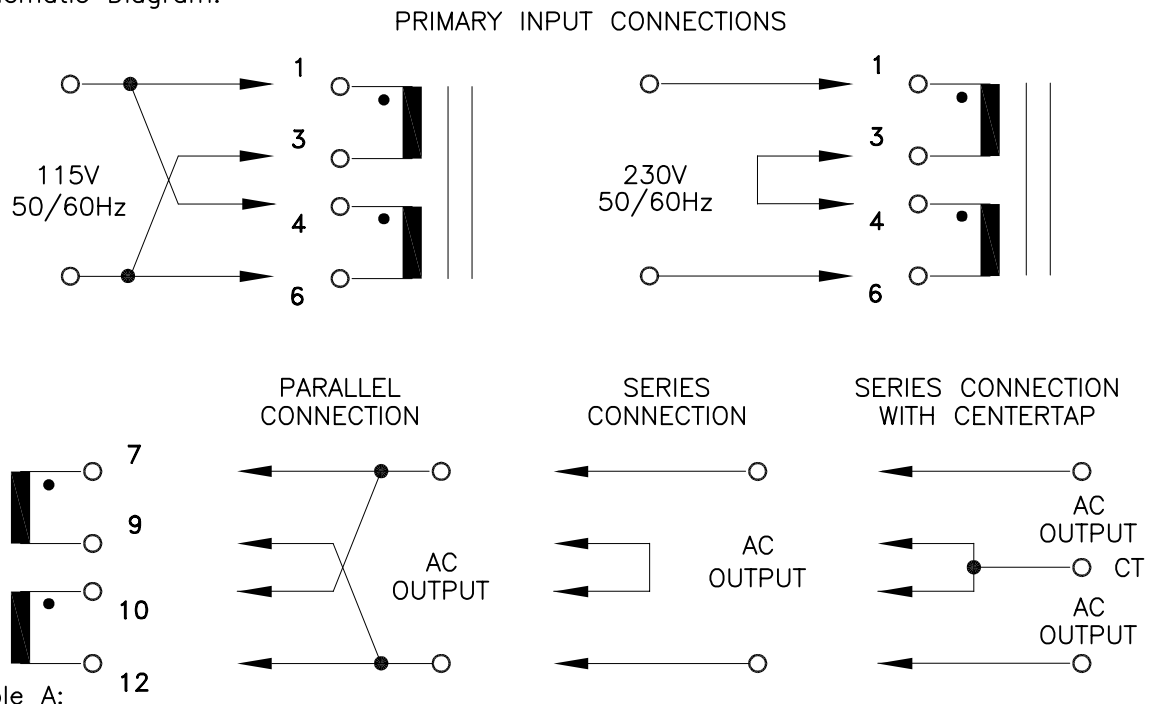
PROPRIETARY NOTICE: THIS DRAWING PRINT OR DOCUMENT AND SUBJECT MATTER DISCLOSED HEREIN ARE PROPRIETARY ITEMS TO WHICH TAMURA RETAINS THE EXCLUSIVE RIGHT OF DISSEMINATION, REPRODUCTION, MANUFACTURE AND SALE. THIS DRAWING, PRINT OR DOCUMENT IS SUBMITTED IN CONFIDENCE FOR CONSIDERATION BY THE RECIPIENT ALONE UNLESS PERMISSION FOR FURTHER DISCLOSURE IS EXPRESSLY GRANTED IN WRITING.

E. Mounting Footprint:



MODEL NUMBER
PL30-XX-130B

F. Schematic Diagram:



G. Table A:

PART NO.	PARALLEL CONNECTION		SERIES CONNECTION		SERIES CONNECTION WITH CT		OUTPUT
	AC VOLTS	RMS AMPS	AC VOLTS	RMS AMPS	AC VOLTS	RMS AMPS	
PL30-10-130B	5.0	6.00	10.0	3.00	5.0-CT-5.0	3.00	2X5.0V
PL30-12-130B	6.3	4.80	12.6	2.40	6.3-CT-6.3	2.40	2X6.3V
PL30-16-130B	8.0	3.80	16.0	1.90	8.0-CT-8.0	1.90	2X8.0V
PL30-20-130B	10.0	3.00	20.0	1.50	10.0-CT-10.0	1.50	2X10.0V
PL30-24-130B	12.0	2.50	24.0	1.25	12.0-CT-12.0	1.25	2X12.0V
PL30-28-130B	14.0	2.12	28.0	1.06	14.0-CT-14.0	1.06	2X14.0V
PL30-36-130B	18.0	1.64	36.0	0.82	18.0-CT-18.0	0.82	2X18.0V

PREPARED BY:

K. BRENNAN

ENGINEER:

M. PITCHAI

QUALITY CONTROL:

T. CLEM

APPROVED:

Y. SEKIGUCHI

DWG CONTROL NO.
P-A1-12261
ACAD\MXFMR\A1122612.DWG

REV
A

POWER
TRANSFORMER

TAMURA CORPORATION OF AMERICA
43352 BUSINESS PARK DRIVE, TEMECULA, CA. 92590-6624
(951) 699-1270 FAX 9516769482

PL30-XX-130B

MODEL SPECIFICATION

DIM: mm(In) SCL: 1/1 SH: 2 OF 2

PROPRIETARY NOTICE: THIS DRAWING PRINT OR DOCUMENT AND SUBJECT MATTER DISCLOSED HEREIN ARE PROPRIETARY ITEMS TO WHICH TAMURA RETAINS THE EXCLUSIVE RIGHT OF DISSEMINATION, REPRODUCTION, MANUFACTURE AND SALE. THIS DRAWING, PRINT OR DOCUMENT IS SUBMITTED IN CONFIDENCE FOR CONSIDERATION BY THE RECIPIENT ALONE UNLESS PERMISSION FOR FURTHER DISCLOSURE IS EXPRESSLY GRANTED IN WRITING.