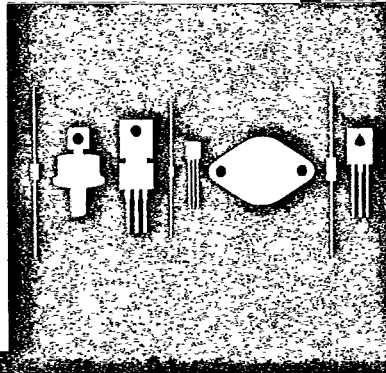


Central
Semiconductor Corp.
Central
Semiconductor Corp.
Central
Semiconductor Corp.
Central™
Semiconductor Corp.

145 Adams Avenue
Hauppauge, New York 11788



3N246 THRU 3N252
3N253 THRU 3N259
SILICON BRIDGE RECTIFIERS
CASE B

DESCRIPTION

The CENTRAL SEMICONDUCTOR 3N246, 3N253 series types are Silicon Single Phase Full Wave Bridge Rectifiers designed for general purpose applications.

MAXIMUM RATINGS ($T_A=75^\circ\text{C}$ unless otherwise noted)

	3N246	3N247	3N248	3N249	3N250	3N251	3N252	
	3N253	3N254	3N255	3N256	3N257	3N258	3N259	UNIT
Peak Repetitive Reverse Voltage	V_{RRM} 50	100	200	400	600	800	1000	V
DC Blocking Voltage	V_R 50	100	200	400	600	800	1000	V
RMS Reverse Voltage	$V_R(\text{RMS})$ 35	70	140	280	420	560	700	A
Average Forward Current (3N246 series)	I_O			1.0				A
Average Forward Current (3N253 series)	$I_O(55^\circ\text{C})$			2.0				A
Peak Forward Surge Current (3N246 series)	I_{FSM}			30				A
Peak Forward Surge Current (3N253 series)	$I_{FSM}(55^\circ\text{C})$			60				A
Operating and Storage Junction Temperature	T_J, T_{stg}				-65 TO +165			$^\circ\text{C}$

ELECTRICAL CHARACTERISTICS ($T_A=25^\circ\text{C}$ unless otherwise noted)

SYMBOL	TEST CONDITIONS	MIN	MAX	UNIT
V_F (3N246 series)	$I_F=3.14\text{A}$		1.3	V
V_F (3N253 series)	$I_F=3.14\text{A}$		1.1	V
I_R	$V_R=\text{Rated } V_{RRM}$		10	μA

CASE OUTLINE DRAWINGS

D



CASE A

CBR1 Series
CBR2 Series



CASE B

CBR1-L Series
CBR2-L Series



CASE C

CBR3-P Series



CASE D

CBR4-L Series



CASE E

CBR8 Series



CASE F

CBR10 Series, CBR25 Series
CBR12 Series, CBR30 Series

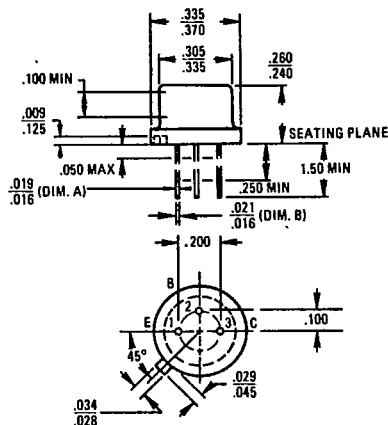
All Dimensions in Inches (Millimeters)

Drawings Not To Scale

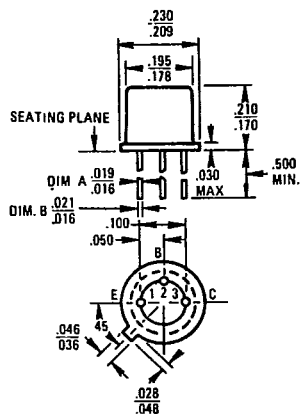
f

MECHANICAL OUTLINE DRAWINGS

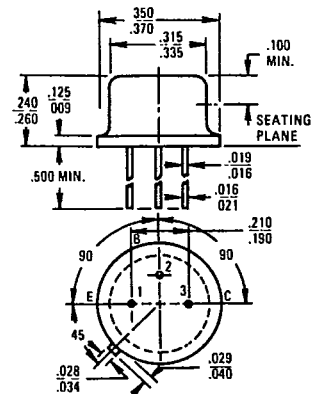
TO-5



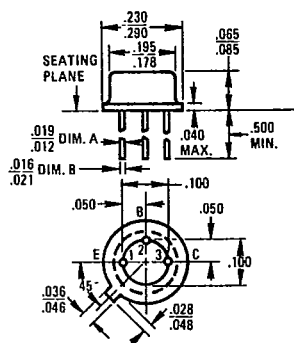
TO-18



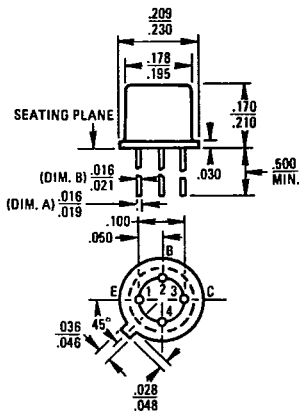
TO-39



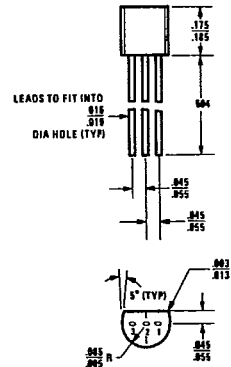
TO-46



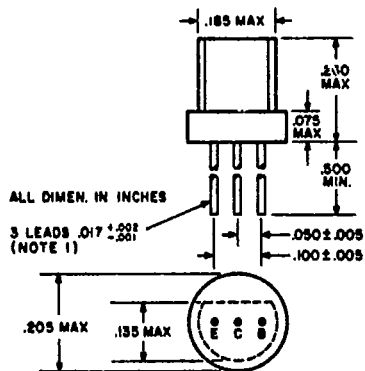
TO-72



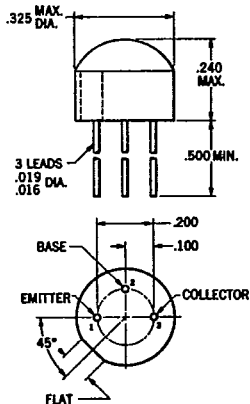
TO-92



TO-98



TO-105



TO-106

