

T.23.07

CENTER TAPS AND DOUBLERS

ABSOLUTE MAXIMUM RATINGS (@25°C UNLESS OTHERWISE SPECIFIED)

Device Type	Reverse Voltage		Average Forward Current (5)					Repetitive Surge Current	1 Cycle Surge Current tp=8.3ms	Reverse Recovery (3)	Forward Voltage		Reverse Current		Thermal Impedance	Case Outline				
	V _{RM}	V _{RM}	(1)			(2)					I _{RM}	I _{FSM}	T _{rr}	V _F			@I _F	I _R	I _R	
			I _F (AV) @ T _c	I _F (AV) @ T _A	25°C	55°C	100°C							25°C			55°C	@25°C	@100°C	θ _{JC}
			Amps	Amps	Amps	Amps	Amps							Amps			Amps	nS	Volts	Amps

LOW VOLTAGE (1000V)

SET03#03*	1000	1000	30	22	—	—	—	150	2000	1.2	9	1	20	1.5	G51	
SET03#04*	400	400	30	22	—	—	—	150	150	1.5	—	1	20	1.5		
SET03#11	150	150	30	20	—	—	—	175	30	1.1	—	10	500	1.5		
SET03#12*	600	600	30	22	—	—	—	150	2000	1.2	—	1	20	1.5		
SET03#19*	1000	1000	20	16	—	—	—	—	150	2.2	—	1	25	1.5		
SET03#23	500	500	20	16	—	—	—	—	50	1.60	—	10	500	1.5	G51	
SC*A05	50	50	15	10	5.0	4.0	25	—	2000	1.00	3	1	20	4.0	G24	
SC*A1	100	100	—	—	5.0	4.0	—	—	2000	1.00	—	—	—	—		
SC*A2	200	200	—	—	5.0	4.0	—	—	2000	1.00	—	—	—	—		
SC*A4	400	400	—	—	5.0	4.0	—	—	2000	1.00	—	—	—	—		
SC*A6	600	600	—	—	5.0	4.0	—	—	2000	1.00	—	—	—	—		
SC*A05F	50	50	—	—	3.0	2.3	—	—	150	1.10	—	—	—	—		
SC*A1F	100	100	—	—	3.0	2.3	—	—	150	1.10	—	—	—	—		
SC*A2F	200	200	—	—	3.0	2.3	—	—	150	1.10	—	—	—	—		
SC*A4F	400	400	—	—	3.0	2.3	25	150	1.10	1.10	3	1	20	—		
SC*A05FF	50	50	—	—	4.5	3.5	24	175	30	0.97	5	10	500	—		
SC*A10FF	100	100	—	—	4.5	3.5	24	175	30	0.97	5	10	500	—		
SC*A15FF	150	150	—	—	4.5	3.5	24	175	30	0.97	5	10	500	4.0	G24	
SC*AR05	50	50	40	30	20	—	—	70	375	2000	1.00	9	3	60	1.5	G25
SC*AR1	100	100	—	—	—	—	—	—	—	—	—	—	—	—		
SC*AR2	200	200	—	—	—	—	—	—	—	—	—	—	—	—		
SC*AR4	400	400	—	—	—	—	—	—	—	—	—	—	—	—		
SC*AR6	600	600	—	—	—	—	—	—	—	—	—	—	—	—		
SC*AR8	800	800	—	—	—	—	—	—	—	—	—	—	—	—		
SC*AR10	1000	1000	—	—	—	—	—	—	—	—	—	—	—	—		
SC*AR05F	50	50	40	31	18	—	—	450	150	1.10	—	—	—	—		
SC*AR1F	100	100	—	—	—	—	—	—	150	1.10	—	—	—	—		
SC*AR2F	200	200	—	—	—	—	—	—	150	1.10	—	—	—	—		
SC*AR4F	400	400	—	—	—	—	—	—	150	1.10	—	—	—	—		
SC*AR05FF	50	50	45	35	20	—	—	—	30	0.97	15	30	1500	—		
SC*AR10FF	100	100	45	35	20	—	—	—	30	0.97	15	30	1500	—		
SC*AR15FF	150	150	45	35	20	—	—	70	450	30	0.97	15	30	1500	1.5	G25
SC*AS05	50	50	85	70	45	—	—	120	900	2000	1.00	18	6	120	0.8	G27A
SC*AS1	100	100	—	—	—	—	—	—	—	2000	1.00	—	—	120	—	
SC*AS2	200	200	—	—	—	—	—	—	—	2000	1.00	—	—	120	—	
SC*AS4	400	400	—	—	—	—	—	—	—	2000	1.00	—	—	120	—	
SC*AS6	600	600	—	—	—	—	—	—	—	2000	1.00	—	—	120	—	
SC*AS05F	50	50	80	65	42	—	—	—	150	1.10	—	—	—	120	—	
SC*AS1F	100	100	—	—	—	—	—	—	150	1.10	—	—	—	120	—	
SC*AS2F	200	200	—	—	—	—	—	—	150	1.10	—	—	—	120	—	
SC*AS4F	400	400	—	—	—	—	—	120	150	1.10	18	6	120	—		
SC*AS05FF	50	50	85	70	45	—	—	135	—	30	0.97	30	60	3000	—	
SC*AS10FF	100	100	85	70	45	—	—	135	—	30	0.97	30	60	3000	—	
SC*AS15FF	150	150	85	70	45	—	—	135	900	30	0.97	30	60	3000	0.8	G27A
SCS*F04L	1000	1000	150	110	70	—	—	—	750	2000	1.00	18	6	200	0.5	G26
SCS*F4L	400	400	120	100	65	—	—	—	750	150	1.10	18	6	200	0.5	G26
SCS*FF04L	50	50	150	130	85	—	—	—	875	30	0.95	30	60	3000	0.5	G26
SCS*FF10L	100	100	150	130	85	—	—	—	875	30	0.95	30	60	3000	0.5	G26
SCS*FF15L	150	150	150	130	85	—	—	—	875	30	0.95	30	60	3000	0.5	G26

NOTES:

Operating and Storage Temp. Range = -55°C to +150°C except where shown

(A) Operating and Storage Temperature Range = -55°C to +175°C

(1) Ratings at Case Temperature T_c

(2) Ratings at Ambient Temperature T_A

(3) Measured on discrete devices prior to assembly

(4) Rating at Oil Temperature T_o

(5) Average Rectified Current = 0.5 x I_F(AV) for Doubler

Add code for configuration: ## = 10 or * = D for Doubler

08 N for Negative Center Tap

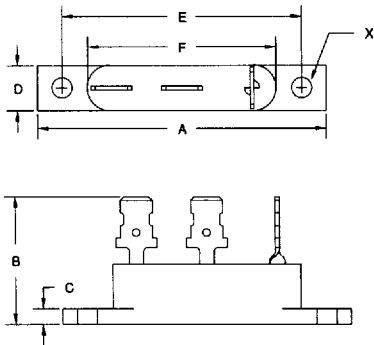
06 P for Positive Center Tap

G24

DIM #	DIMENSIONS				NOTE
	MM		INCHES		
	MIN	MAX	MIN	MAX	
A	56.4	57.9	2.22	2.28	-
B	-	25.4	-	1.00	-
C	2.5	3.8	.10	.15	-
D	8.1	9.6	.32	.38	-
E	46.7	48.3	1.84	1.90	-
F	36.8	37.8	1.45	1.49	-
X	3.8	4.3	.149	.171	-

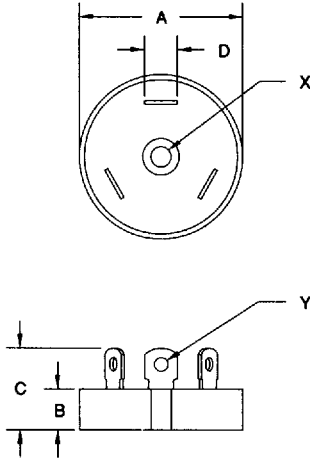
NOTES

- 1 TERMINAL LAYOUT SHOWN FOR DOUBLER CATHODE TERMINALS PERPENDICULAR TO UNIT AXIS
- 2 TERMINALS SUITABLE FOR 25" FASTON CONNECTORS OR SOLDERING



G25

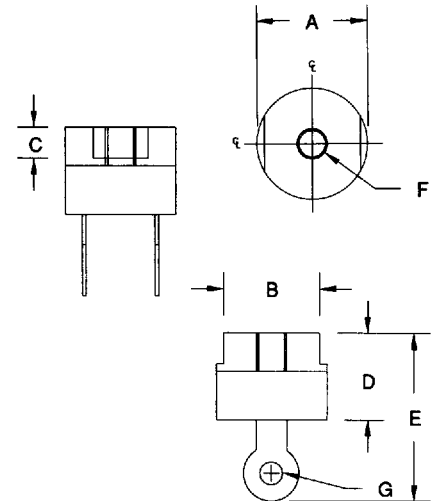
DIM #	DIMENSIONS				NOTE
	MM		INCHES		
	MIN	MAX	MIN	MAX	
A	-	51.6	-	2.03	-
B	-	13.5	-	.53	-
C	-	26.2	-	1.03	-
D	8.6	10.2	.34	.40	-
X	5.6	7.1	.22	.28	DIA
Y	3.6	5.1	.14	.20	DIA



G26

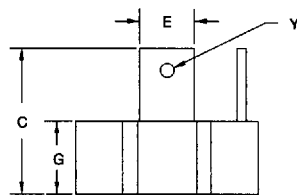
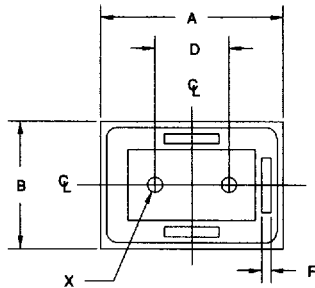
T-23-07

DIM #	DIMENSIONS				NOTE
	MM		INCHES		
	MIN	MAX	MIN	MAX	
A	27.7	29.2	1.09	1.15	-
B	-	25.4	-	1.00	-
C	8.1	-	.32	-	-
D	-	23.6	-	.93	-
E	-	44.4	-	1.75	-
F	TAP'D 5/16-18UNC				-
G	5.6	7.1	.22	.28	-



G27A

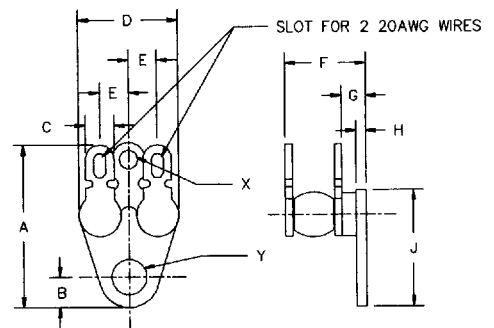
DIM #	DIMENSIONS				NOTE
	MM		INCHES		
	MIN	MAX	MIN	MAX	
A	-	64.3	-	2.53	-
B	-	45.5	-	1.78	-
C	-	51.6	-	2.03	-
D	24.6	26.2	.97	1.03	-
E	-	19.8	-	.78	-
F	-	3.31	-	.13	-
G	24.6	26.2	.97	1.03	-
X	4.3	5.9	.171	.231	1
Y	4.0	5.5	.159	.219	2



- NOTES:
1. TWO PLACES
 2. THREE PLACES

G51

DIM #	DIMENSIONS				NOTE
	MM		INCHES		
	MIN	MAX	MIN	MAX	
A	-	17.3	-	.68	-
B	2.9	3.4	.115	.135	-
C	3.0	3.3	.12	.13	2 PL
D	10.0	10.4	.39	.41	-
E	2.8	3.0	.11	.12	-
F	-	10.7	-	.42	-
G	2.3	3.0	.09	.12	-
H	1.0	1.3	.04	.05	-
J	11.2	11.9	.44	.47	-
X	1.8	2.0	.072	.077	DIA
Y	3.5	3.8	.139	.149	DIA



NOTES

- CONFIGURATION AND POLARITY SHOWN BY COLORED DOTS
 POSITIVE CENTER TAP - RED DOT ON POSITIVE TERMINAL
 NEGATIVE CENTER TAP - BLACK DOT ON NEGATIVE TERMINAL
 DOUBLER - RED, POSITIVE; BLACK, NEGATIVE, YELLOW, AC